

BOXER



BOXER

Bajaj Auto Limited
Akurdi Pune 411 035 India
Tel +91 20 27472851
Fax +91 20 27407385
www.bajajauto.com

Spare Parts Catalogue



Notice

All information contained in this manual is based on the latest product information at the time of publication. Bajaj Auto Limited accepts no liability for any inaccuracies or omissions in this publication, although every possible care has been taken to make it as complete and accurate as possible. All procedures and specifications subject to change without prior notice. The right is reserved to make such changes at any time without prior notice and without incurring an obligation to make such changes to product manufactured previously. Contact your authorized Bajaj Dealer for the latest information on product improvements incorporated after this manual was issued.

Foreword

We have pleasure in presenting the Spare Parts Catalogue for 'BOXER 150' Motorcycle. This catalogue has been specially designed to assist you in selecting the correct parts for procurement to maintain 100% availability.

The Bajaj spares are subjected to the stringent quality control standards to ensure longer life of the vehicle. It is therefore necessary that only the Genuine Bajaj Spares are used.

In a continual effort to improve Performance and Efficiency of the vehicles, Specifications, Diagrams, Illustrations and Part Numbers can change without notice. Consequently, the description in this Spare Parts Catalogue cannot therefore be final and binding on us.

The modifications / alterations which are carried out after the issue of this catalogue, will be conveyed to you through our Service Circulars. You are requested to make necessary corrections in the Parts Catalogue as per the circulars so as to keep your catalogue up-to-date. This will ensure the appropriate and speedy delivery of the Spare Parts as the order placed will bear the latest part numbers.

In case, if you need any technical assistance contact the concerned Regional Office or write to us on the following address :

Bajaj Auto Limited**Service Department**

Akurdi, Pune 411 035 India

Phone : 020-27406557

Fax : 020-27407385

Instructions

- 1. How to Read the Catalogue :** Open the catalogue and from the pictorial index locate the group in which the part you want to find is present. Turn over to the concerned page number (as given by pictorial index). Now find out the figure of the part you wish to order. Write down the part number against that particular figure number from the text.

In case, if you have the part number and you need the other details, the part index can be used. The part index (at the end of the catalogue) will give you the figure and page number of the part you wish to order.

- 2. How to Order Spare Parts :** The part number and the description of the part required should be invariably mentioned in the order as per the catalogue text.

The latest part number as conveyed through our service circulars should only appear on the order. In case of ordering painted components, colour shade of the components should be mentioned.

The quantity shown against the part number is the quantity per vehicle for that group so that particular quantity should be multiplied by the number of sets required.

- 3. Part Number System :** We have used 8 digit system for part numbers. The model or hardware item is indicated by first two digits or alphanumeric, the next two or four digits indicate main group and the last four or two digits indicate serial number in main group or serial number or subgroup of fastener respectively. Thus the part numbers will be indicated by 2-2-4 or 2-4-2 digit system. Understanding this system will enable you to identify the spare parts easily.

- 4. Abbreviations :** The following abbreviations are used in this catalogue.

Assly	Assembly	V	Volts
N.I.	Not illustrated	W	Watts
C'case	Crankcase	Accl.	Accelerator
Cyl	Cylinder	Comp.	Complete
O/s	Over size	Fr.	Front
Rr.	Rear	Std.	Standard
L	Length	A/t.	Alternate
R.H.	Right hand	L.H.	Left hand
Hex.	Hexagonal	AR	As required

Index

BOXER

Plate No.	Description	Page No.
1	Cover Cylinder Head	2
2	Cylinder Head	4
3	Valve	6
4	Camshaft / Tensioner	8
5	Cylinder & Piston	10
6	Crankshaft	12
7	Transmission	14
8	Change Drum / Shift Fork	16
9	Gear Change Mechanism	18
10	Engine Assly / Crankcase RH	20
11	Crankcase LH	22
12	Cover RH	24
13	Cover Magneto	26
14	Clutch	28
15	Kick Starter Mechanism	30
16	Carburettor	32
17	Air Cleaner Complete	34
18	Silencer Assly	36
19	Oil Pump	38
20	Starter Assly	40
21	Magneto / C.D.I. / H.T. Coil	42
22	Seat Assly / Grip Frame	44
23	Engine Mountings	46
24	Frame & Frame Fitting	48
25	Swing Arm / Rear Shock Absorber	50
26	Rider Foot Rest / Pillion Foot Rest	52

Index

BOXER

Plate No.	Description	Page No.
27	Mudguard - Front & Rear	54
28	Stand Assembly	56
29	Tyre / Tube / Rim	58
30	Front Hub	60
31	Rear Hub	62
32	Rear Brake Pedal	64
33	Handle Bar	66, 68
34	Front Fork	70
35	Painted Parts & Decals	72
36	Petrol Tank, Cap Tank & Gauge Fuel	74
37	Fittings - Petrol Tank, Side Cover	76
38	Meter Assembly	78
39	Control Cables	80
40	Chain Case	82
41	Head Lamp & Fairing	84
42	Indicator Light Assembly	86
43	Tail Lamp Assembly / Front Number Plate	88
44	Electrical Equipments	90
45	Tool Kit	92
46	Accessories	94
	Kits List	95, 96, 97, 98
	Amendment Sheet (Parts Added & Deleted)	99, 100
	Part Index	

Pictorial Index

BOXER

PLATE NO. : 1 COVER CYLINDER HEAD	PAGE NO. 2
--------------------------------------	---------------

PLATE NO. : 2 CYLINDER HEAD	PAGE NO. 4
--------------------------------	---------------

PLATE NO. : 3 VALVE	PAGE NO. 6
------------------------	---------------

PLATE NO. : 4 CAMSHAFT / TENSIONER	PAGE NO. 8
---------------------------------------	---------------

Pictorial Index

BOXER

PLATE NO. : 5 CYLINDER & PISTON	PAGE NO. 10
------------------------------------	----------------

PLATE NO. : 6 CRANKSHAFT	PAGE NO. 12
-----------------------------	----------------

PLATE NO. : 7 TRANSMISSION	PAGE NO. 14
-------------------------------	----------------

PLATE NO. : 8 CHANGE DRUM / SHIFT FORK	PAGE NO. 16
---	----------------

Pictorial Index

BOXER

PLATE NO. : 9 GEAR CHANGE MECHANISM	PAGE NO. 18
--	----------------

PLATE NO. : 10 ENGINE ASSLY / CRANKCASE RH	PAGE NO. 20
---	----------------

PLATE NO. : 11 CRANKCASE LH	PAGE NO. 22
--------------------------------	----------------

Nozzle Oil Jet
(Press Fitted)

PLATE NO. : 12 COVER RH	PAGE NO. 24
----------------------------	----------------

Pictorial Index

BOXER

PLATE NO. : 13 COVER MAGNETO	PAGE NO. 26
---------------------------------	----------------

PLATE NO. : 14 CLUTCH	PAGE NO. 28
--------------------------	----------------

PLATE NO. : 15 KICK STARTER MECHANISM	PAGE NO. 30
--	----------------

PLATE NO. : 16 CARBURETOR	PAGE NO. 32
------------------------------	----------------

Pictorial Index

BOXER

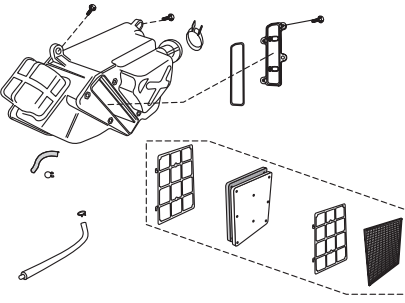
PLATE NO. : 17 AIR CLEANER COMPLETE	PAGE NO. 34
	

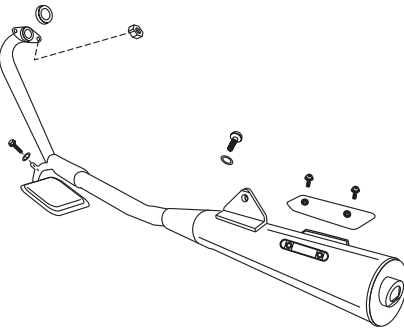
PLATE NO. : 18 SILENCER ASSLY	PAGE NO. 36
	

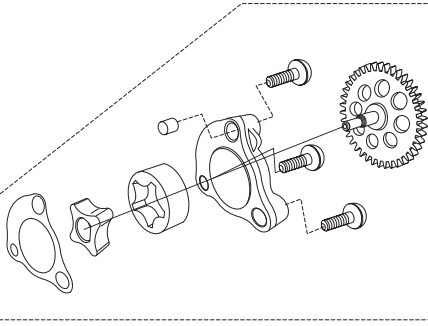
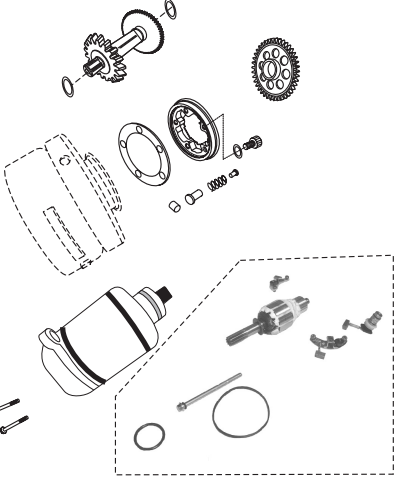
PLATE NO. : 19 OIL PUMP	PAGE NO. 38
	

PLATE NO. : 20 STARTER ASSLY	PAGE NO. 40
	

Pictorial Index

BOXER

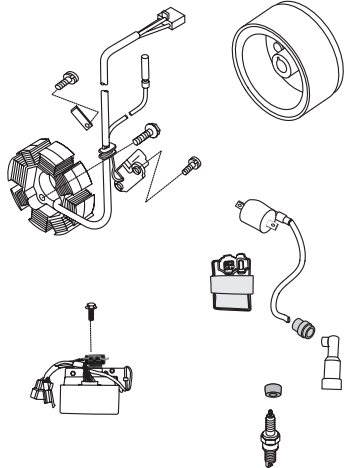
PLATE NO. : 21 MAGNETO / C.D.I. / H.T. COIL	PAGE NO. 42
	

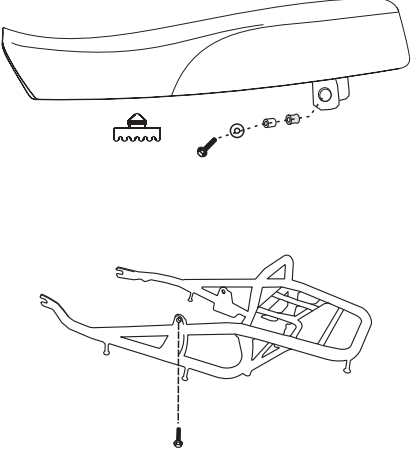
PLATE NO. : 22 SEAT ASSLY / GRIP FRAME	PAGE NO. 44
	

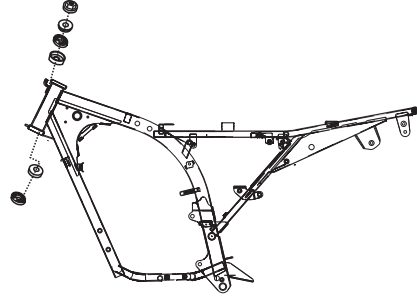
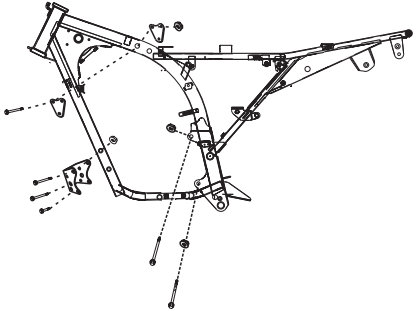
PLATE NO. : 23 ENGINE MOUNTINGS	PAGE NO. 46
	

PLATE NO. : 24 FRAME & FRAME FITTINGS	PAGE NO. 48
	

Pictorial Index

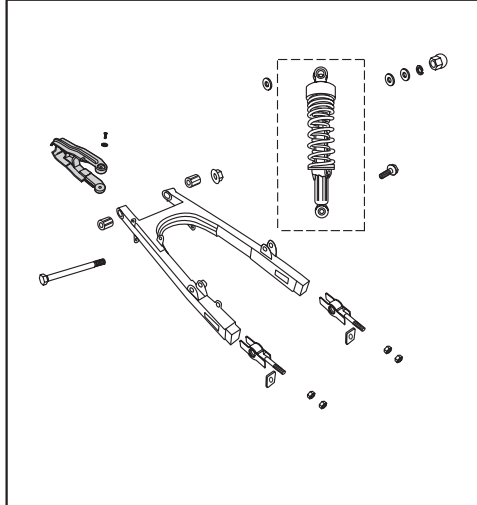
PLATE NO. : 25 SWING ARM / RR. SHOCK ABSORBER	PAGE NO. 50
	

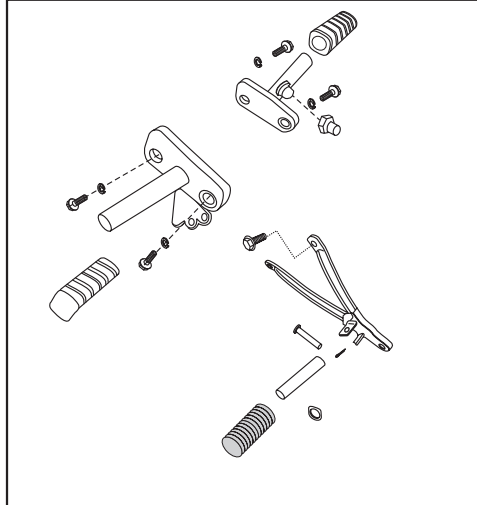
PLATE NO. : 26 RIDER FOOT REST / PILLION FOOT REST	PAGE NO. 52
	

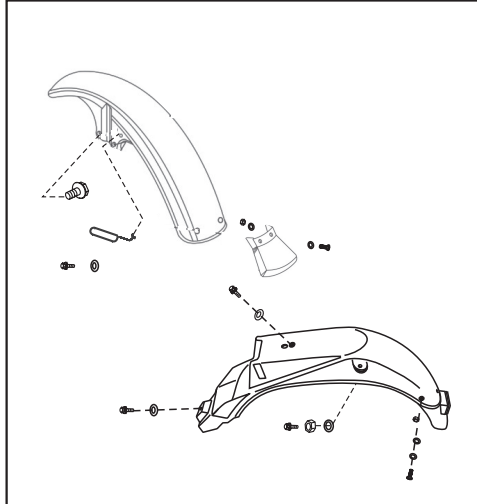
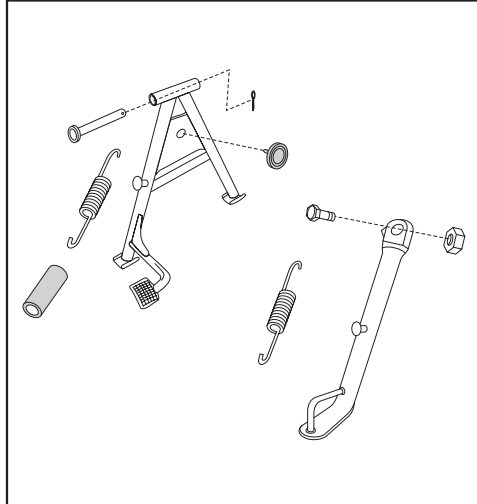
PLATE NO. : 27 MUDGUARD - FRONT & REAR	PAGE NO. 54
	

PLATE NO. : 28 STAND ASSEMBLY	PAGE NO. 56
	

Pictorial Index

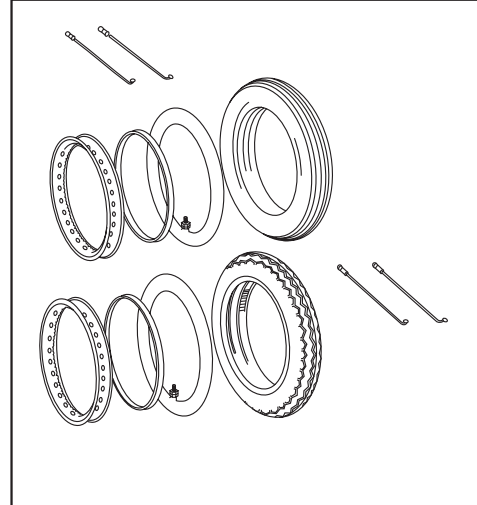
PLATE NO. : 29 TYRE / TUBE / RIM	PAGE NO. 58
	

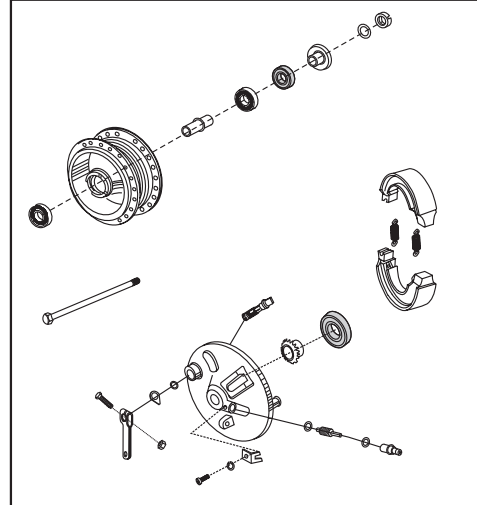
PLATE NO. : 30 FRONT HUB	PAGE NO. 60
	

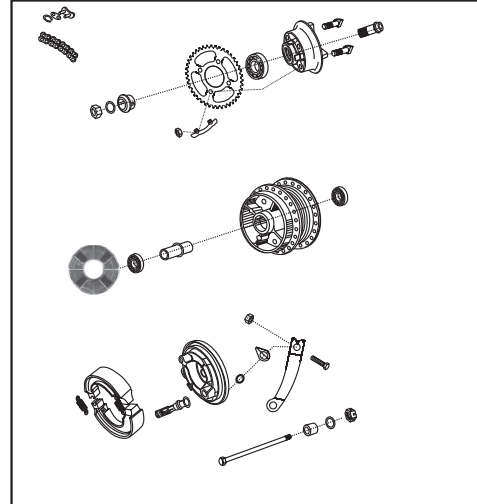
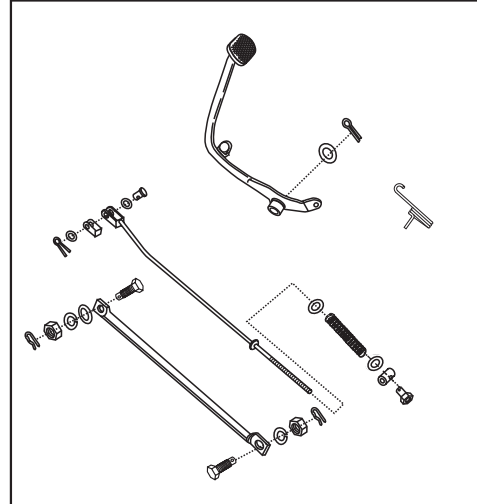
PLATE NO. : 31 REAR HUB	PAGE NO. 62, 64
	

PLATE NO. : 32 REAR BRAKE PEDAL	PAGE NO. 64
	

Pictorial Index

PLATE NO. : 33 HANDLE BAR	PAGE NO. 66, 68

PLATE NO. : 34 FRONT FORK	PAGE NO. 70

PLATE NO. : 35 PAINTED PARTS	PAGE NO. 72

PLATE NO. : 36 PETROL TANK, CAP TANK & GAUGE FUEL	PAGE NO. 74

Pictorial Index

PLATE NO. : 37 FITTINGS - PETROL TANK, SIDE COVERS	PAGE NO. 76

PLATE NO. : 38 METER ASSEMBLY	PAGE NO. 78

PLATE NO. : 39 CONTROL CABLES	PAGE NO. 80

PLATE NO. : 40 CHAIN CASE	PAGE NO. 82

Pictorial Index

PLATE NO. : 41 HEAD LAMP & FAIRING	PAGE NO. 84
---------------------------------------	----------------

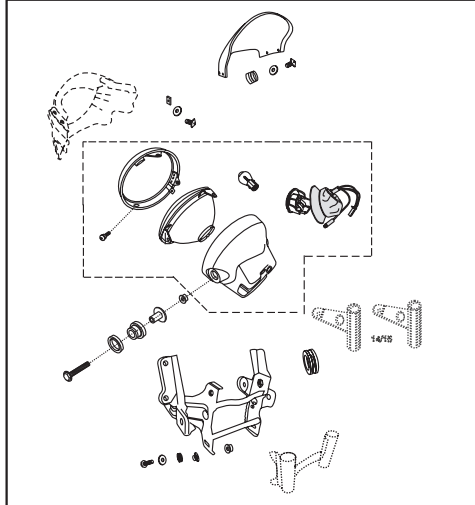


PLATE NO. : 42 INDICATOR LIGHT ASSEMBLY	PAGE NO. 86
--	----------------

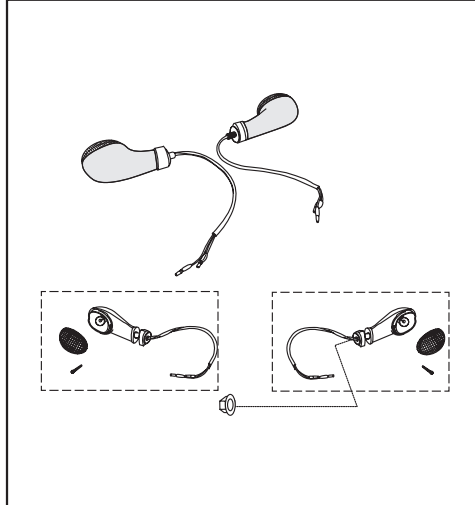


PLATE NO. : 43 TAIL LAMP ASSLY / FRONT NUMBER PLATE	PAGE NO. 88
---	----------------

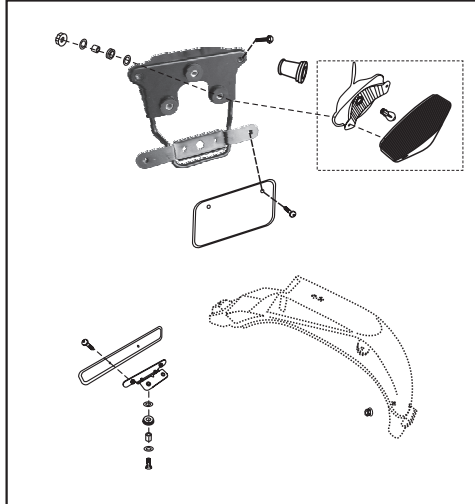
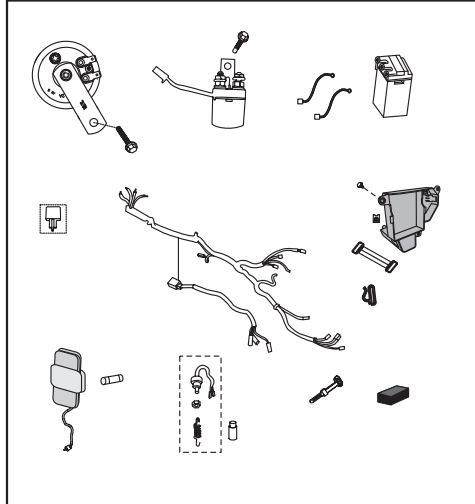


PLATE NO. : 44 ELECTRICAL EQUIPMENTS	PAGE NO. 90
---	----------------



Pictorial Index

PLATE NO. : 45 TOOL KIT	PAGE NO. 92
----------------------------	----------------

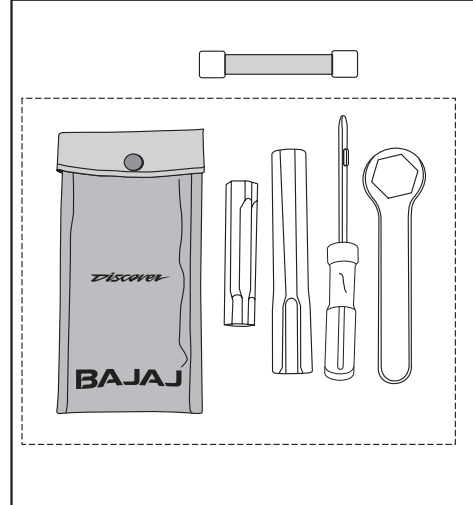
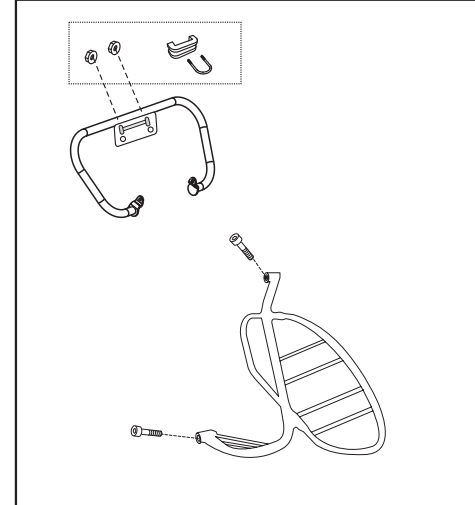
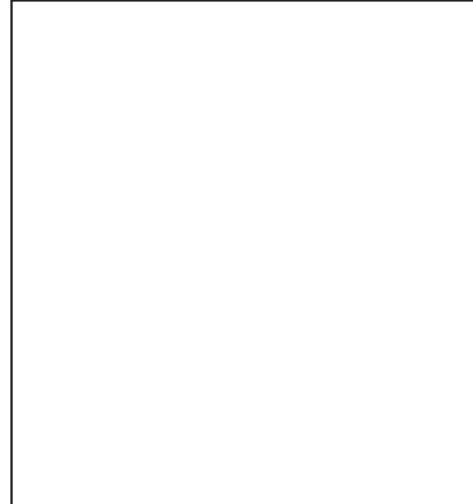


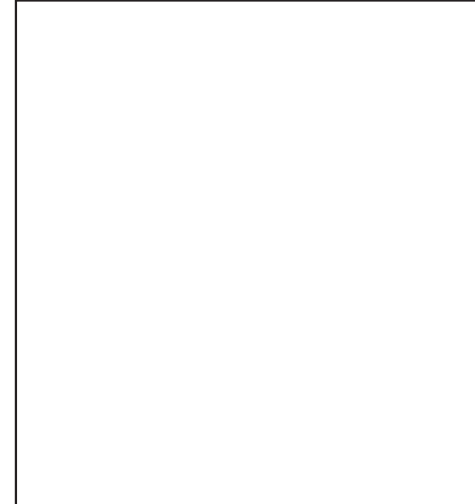
PLATE NO. : 46 ACCESSORIES	PAGE NO. 94
-------------------------------	----------------



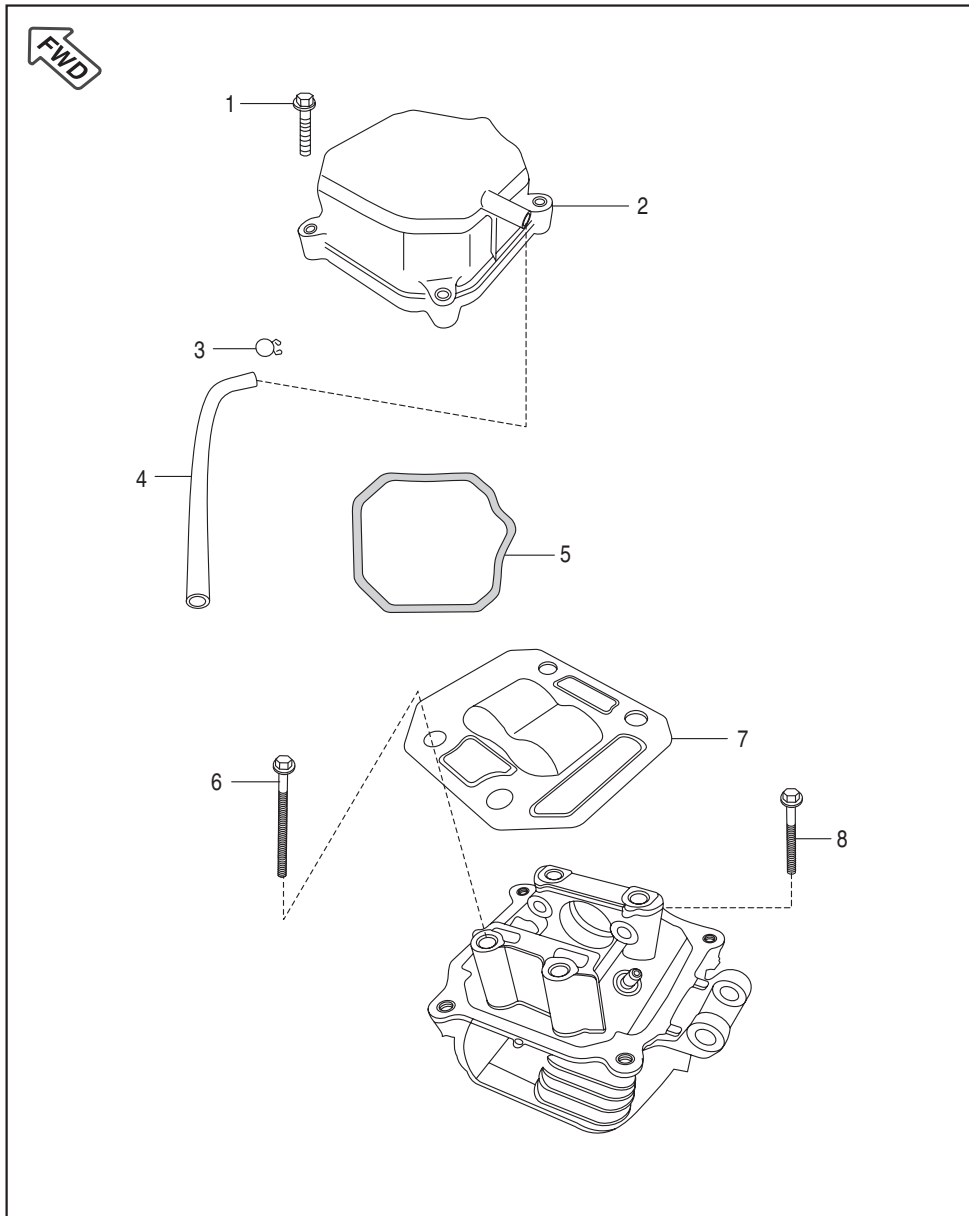
--	--



--	--

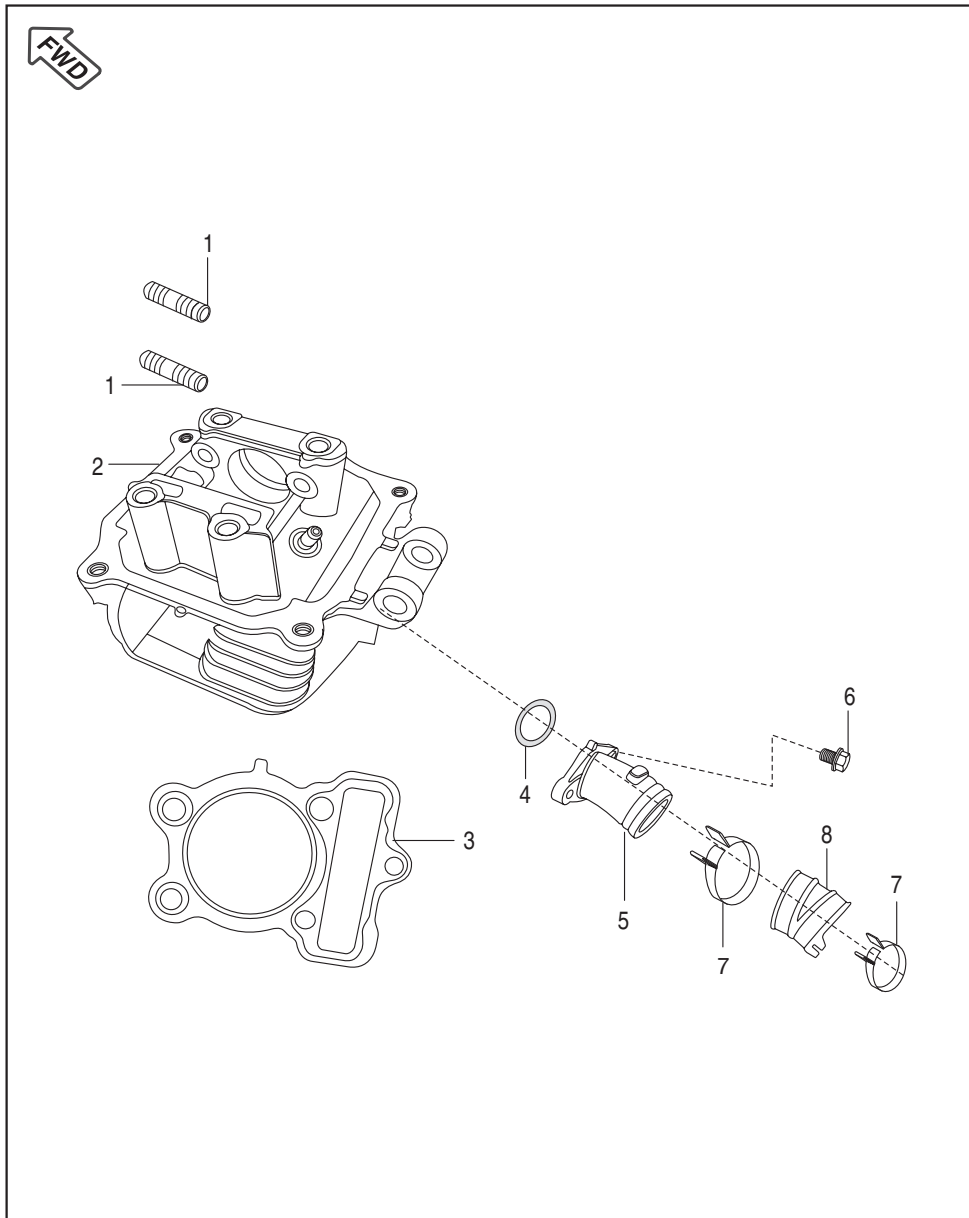


Cover Cylinder Head



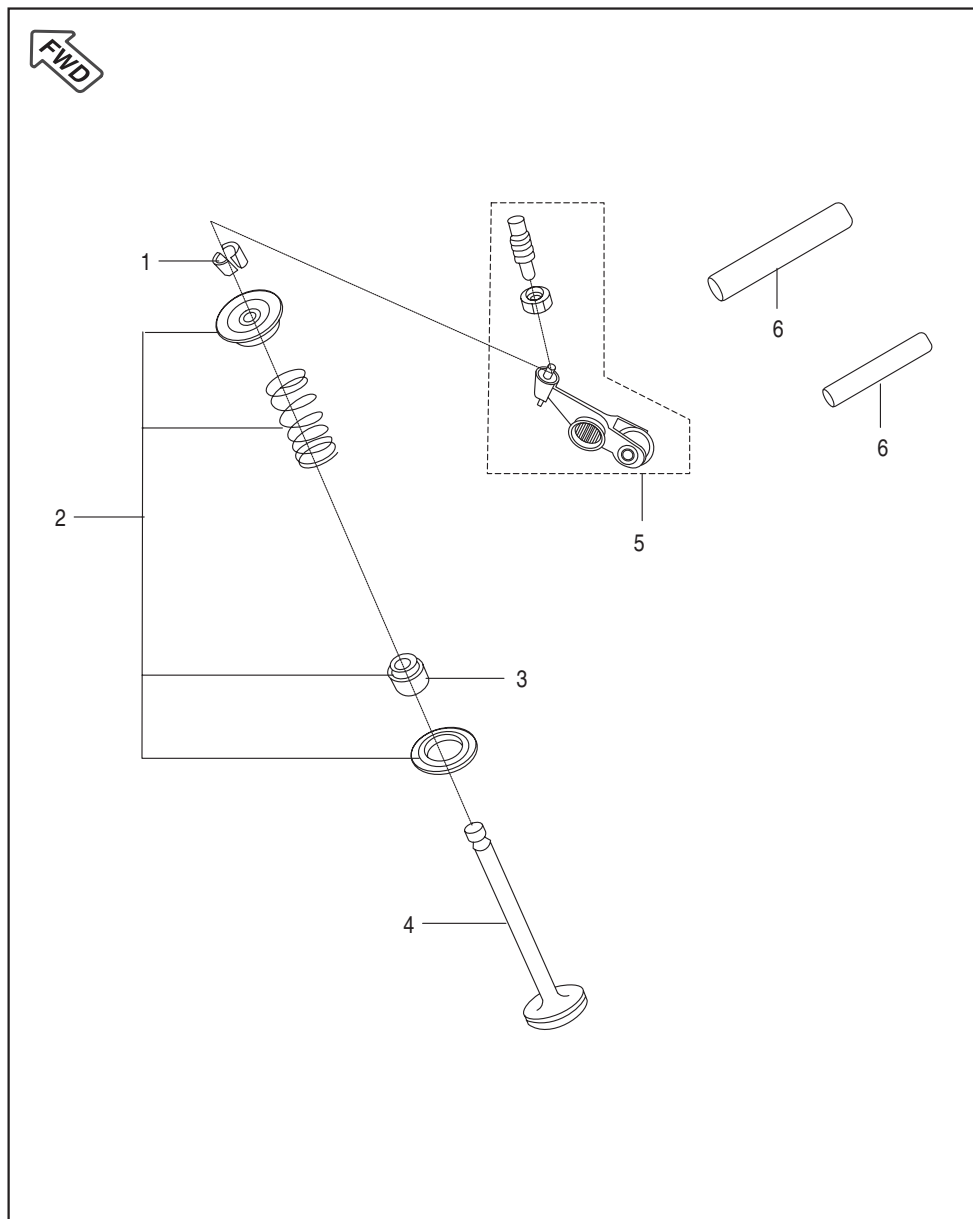
No.	Part No.	Description	Qty	Remarks
1	JV 5410 07	Bolt Flange	4	
2	JZ 5110 21	Cover Cylinder Head Assly	1	
3	DP 1210 25	Clamp	3	
4	JA 5110 11	Hose Breather	1	
5	JD 5110 10	Gasket Head Cover	1	
6	JA 5110 08	Bolt Head Mounting	4	M8 X 1.25 X 196L
7	PF 5110 27	Plate Cylinder Head	1	
8	PF 5110 21	Flange Bolt	1	M8 X 142

Cylinder Head



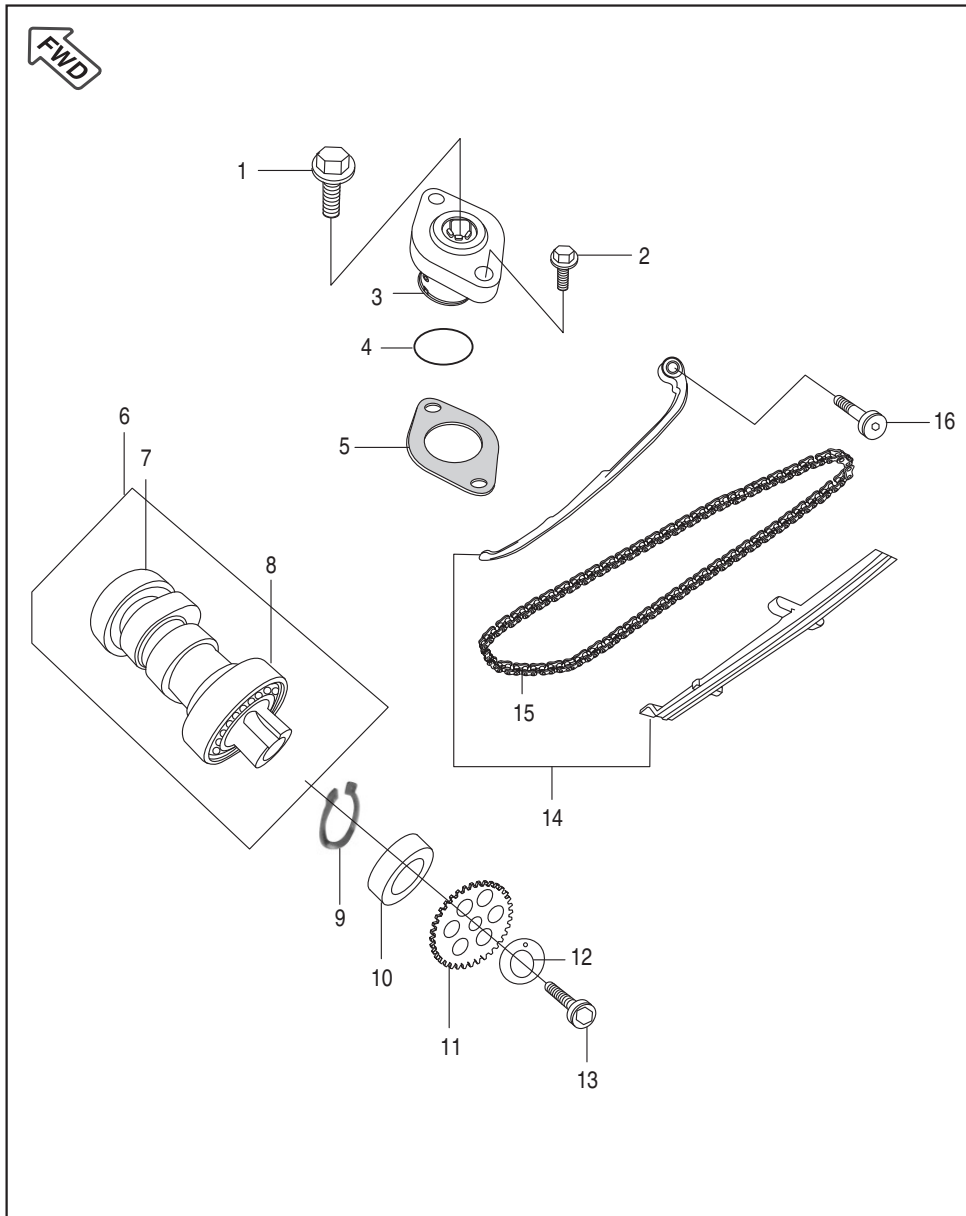
No.	Part No.	Description	Qty	Remarks
1	JA 5110 28	Stud	2	M8 X 25 Silver
2	36 PF00 01	Kit Asly Cylinder Head	1	Studs & Valve Guide Fitted
3	JZ 5110 16	Gasket Cylinder Head	1	
4	39 2539 21	'O' Ring (Intake Pipe)	1	
5	PF 5814 01	Intake Manifold	1	
6	JV 5412 18	Bolt Flange	2	
7	DP 1011 98	Clamp (39mm)	2	
8	PF 5814 02	Sleeve (Carb - Duct Rubber)	1	

Valve



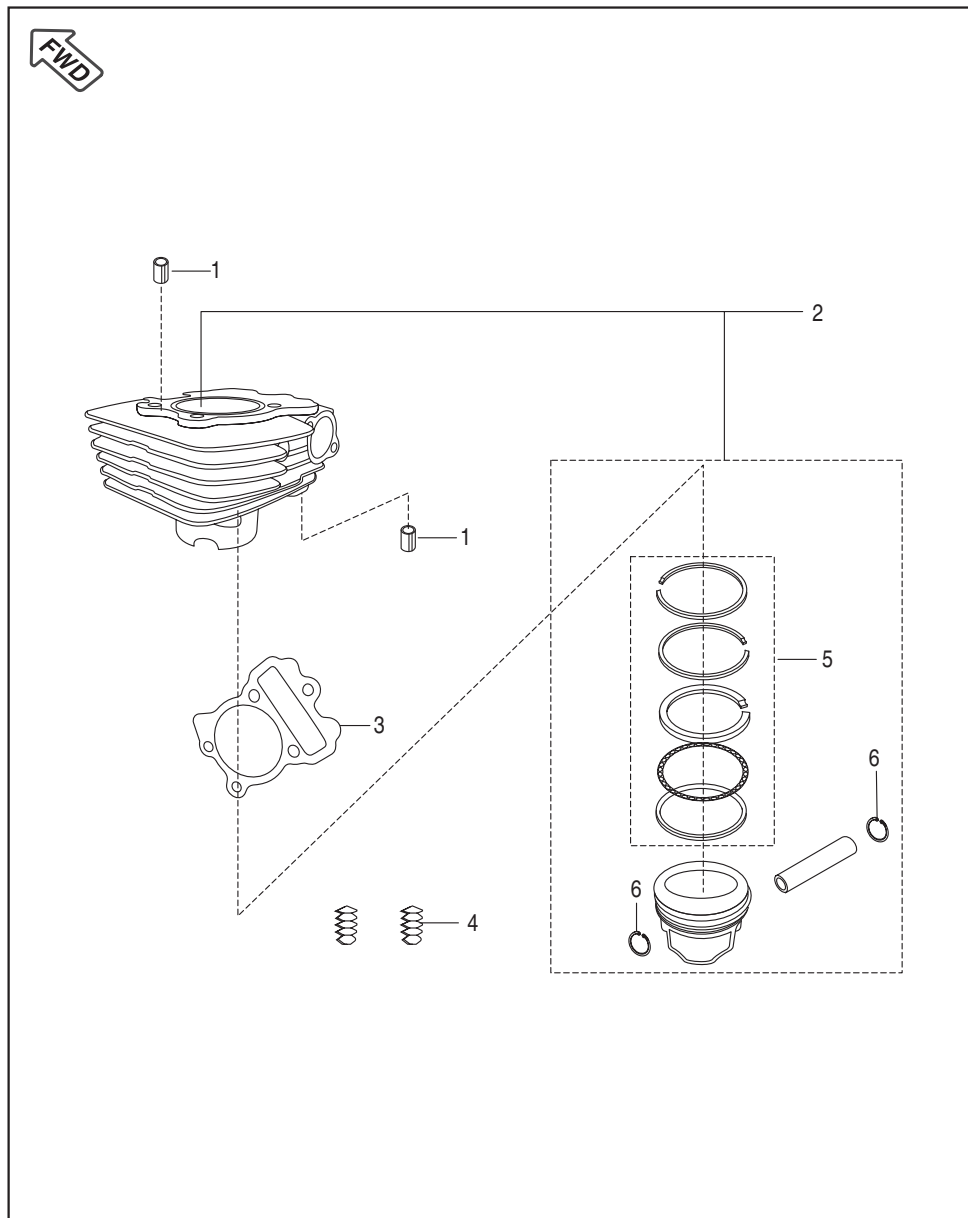
No.	Part No.	Description	Qty	Remarks
1	DG 1010 29	Cotter Valve (Collet)	4	
2	36 JZ00 04	Valve Repair Kit	1	Refer Page No. 95
3	39 2017 19	Seal Valve Stem	2	
4	36 JZ00 01	Valve Kit	1	Refer Page No. 95
5	JZ 5112 03	Rocker Arm with Roller	2	
6	JA 5112 11	Shaft Rocker Arm	2	48.2 mm

Camshaft / Tensioner



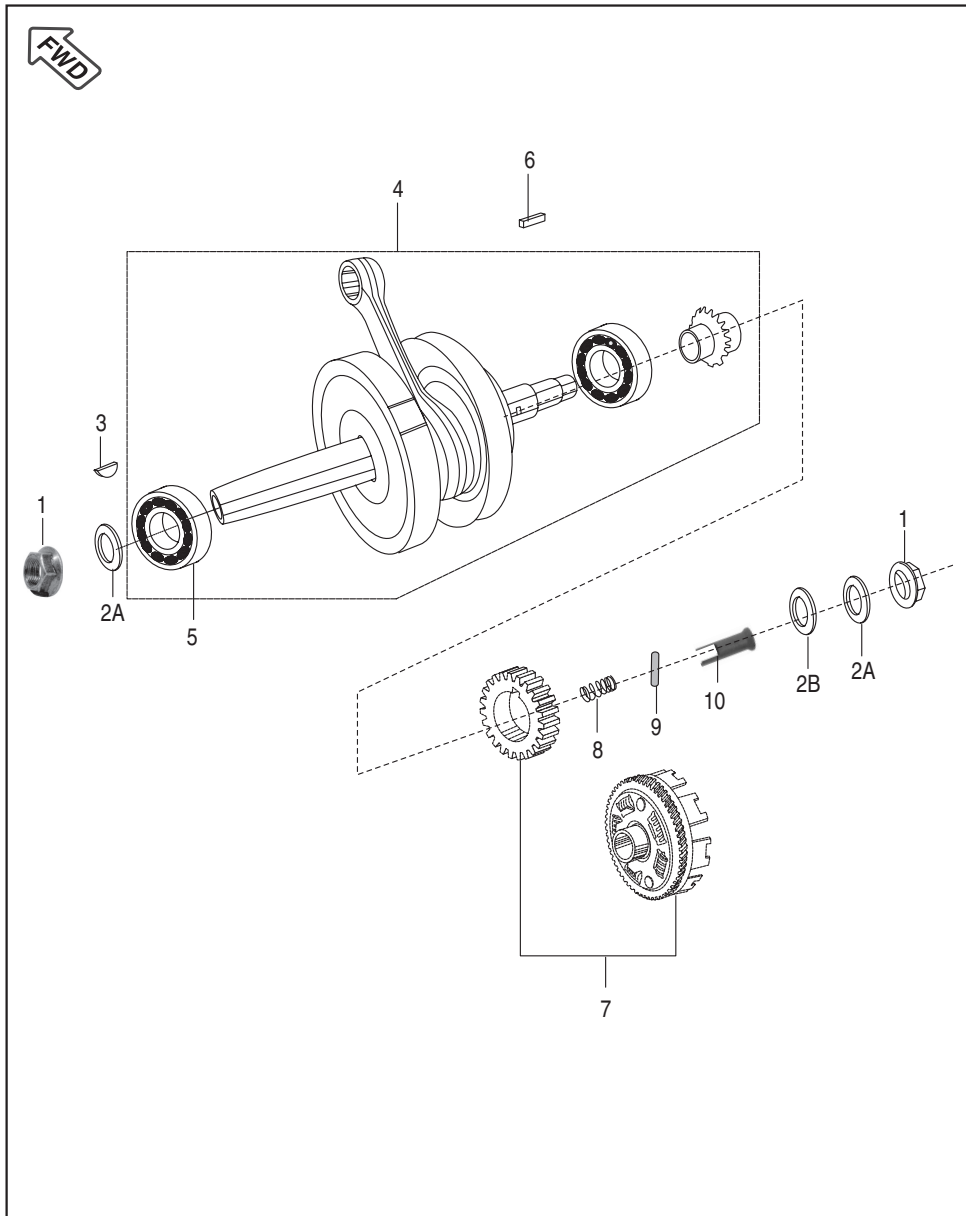
No.	Part No.	Description	Qty	Remarks
1	JV 5210 06	Bolt M6 Chain Tensioner	1	
2	JV 5412 17	Bolt M6 X 20 Silver	2	Adjuster Mounting
3	JV 5210 03	Adjuster Chain Silver	1	
4	39 2669 21	'O' Ring (Tensioner)	1	
5	CS 1011 28	Gasket	1	
6	JZ 5110 04	Camshaft Complete	1	
7	39 1880 20	Bearing Ball - Small 15 X 32 X 9	1	W X OD X ID
8	39 2683 20	Bearing Ball - Big 17 X 35 X 10	1	
9	39 0594 17	Circlip for Camshaft	1	
10	JA 5112 16	Spacer Cam Sprocket	1	
11	DS 1012 76	Sprocket Cam Shaft - 32 T	1	
12	DH 1010 48	Special Washer Cam Shaft	1	'O' Washer
13	39 2198 04	Hex Head Bolt	1	
14	36 JE00 03	Guide Chain Kit	1	Refer Page No. 95
15	DS 1099 05	Cam Chain (94 Link)	1	
16	DH 1013 92	Cam chain Tensioner Pivot Bolt	1	

Cylinder & Piston



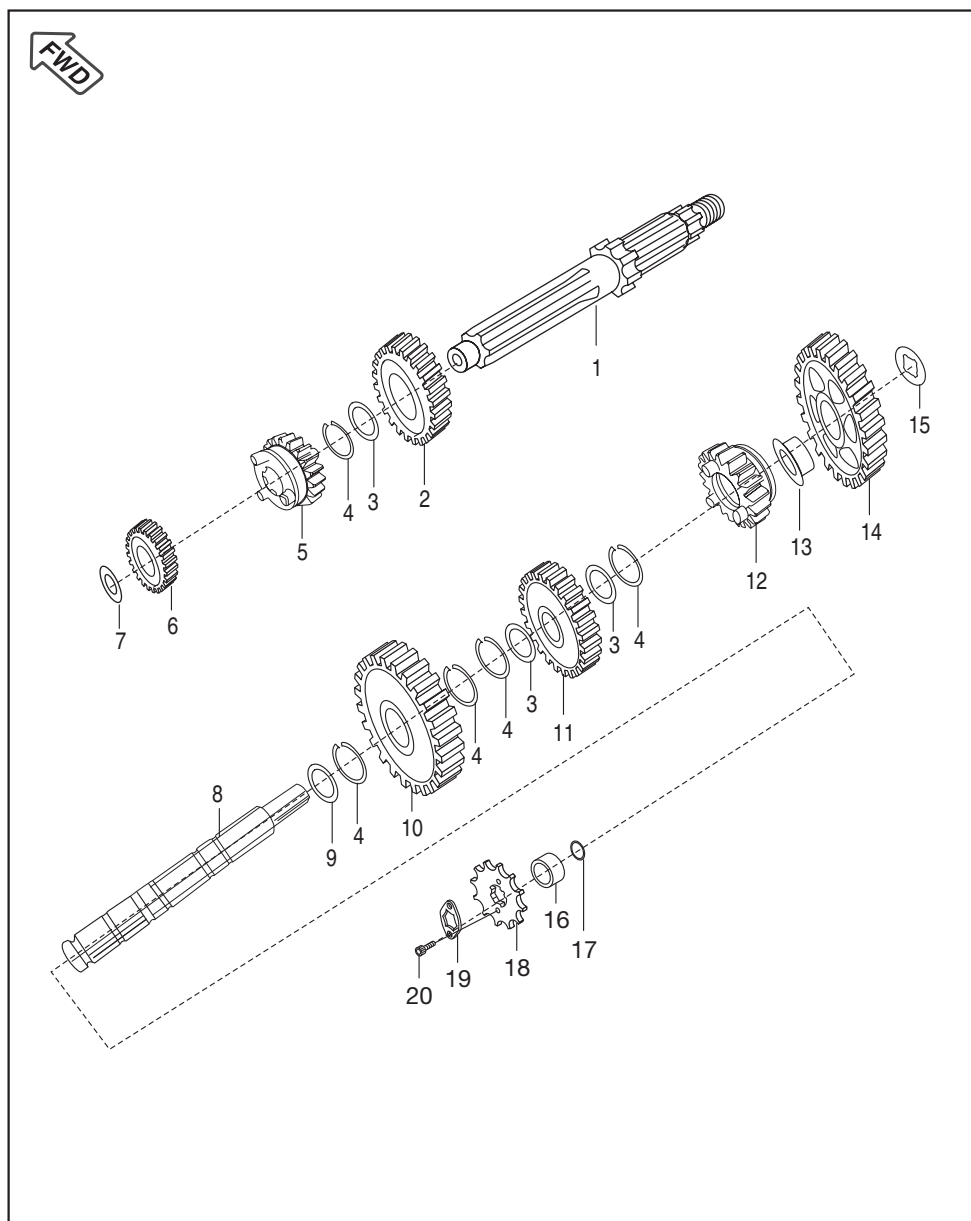
No.	Part No.	Description	Qty	Remarks
1	39 1000 06	Dowel Pin	2	
2	36 PF00 02	Kit Cylinder Block / Piston Assly.	1	
3	JD 5210 02	Gasket Cylinder Block	1	
4	JA 5210 15	Damper Cylinder Block	3	
5	36 JZ00 05	Piston Ring Set	1	Refer Page No. 95
6	DP 1011 65	Ring Snap	2	

Crankshaft



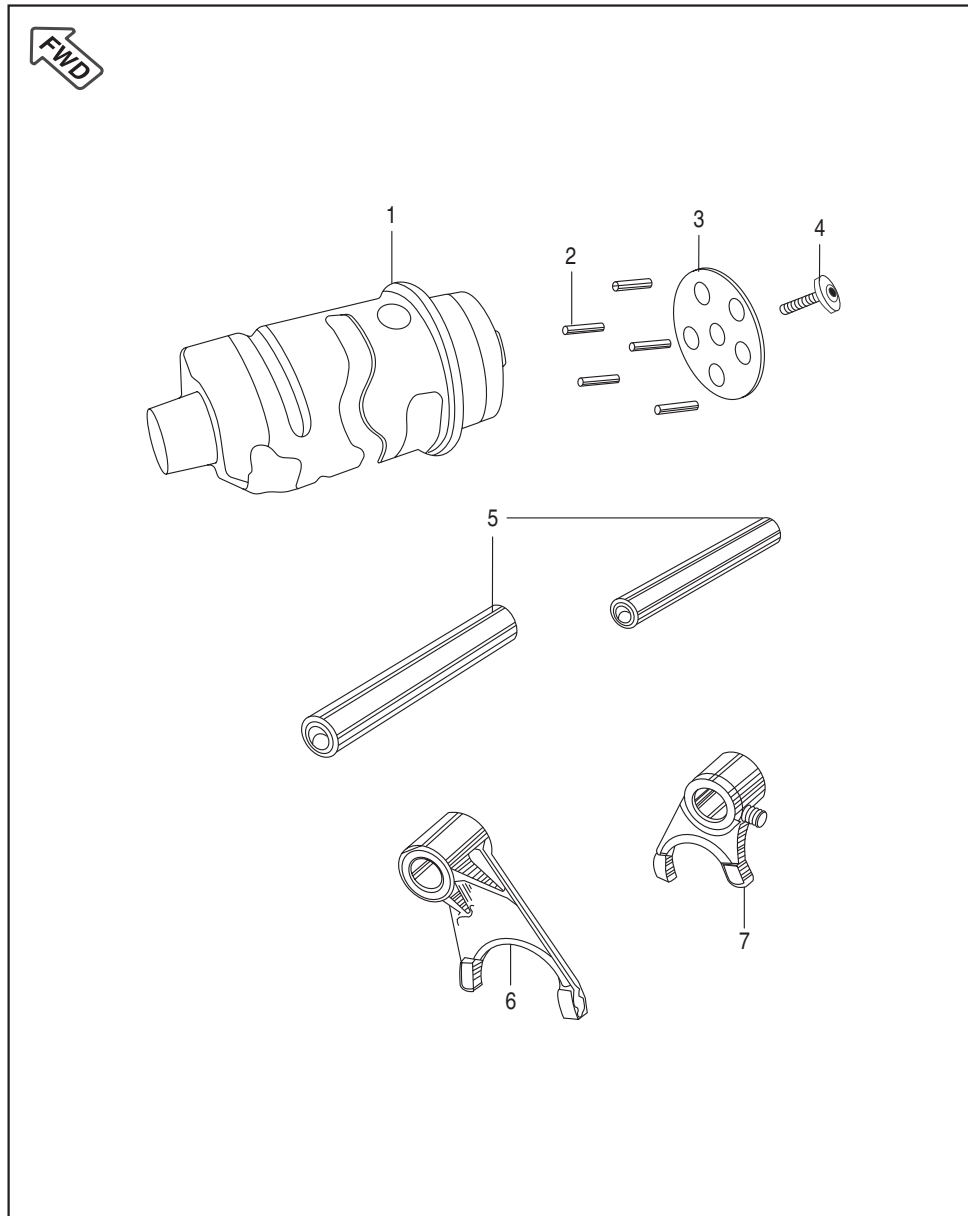
No.	Part No.	Description	Qty	Remarks
1	59 1500 14	Flange Nut	2	
2A	59 1200 03	Belleville Washer	2	
2B	59 1100 08	Plain Washer	1	
3	31 1011 73	Key Woodruff	1	
4	PF 5310 00	Crank Shaft Assly	1	
5	JE 5310 01	Ball Bearing 56 X 22 X 16	2	
6	DS 1011 54	Parallel Key	1	
7	36 JZ00 03	Set Primary Drive / Driven	1	
8	JA 531012	Spring	1	
9	JA 5310 15	Pin Crank Shaft Plunger	1	
10	JB 5310 21	Plunger Oil Crank Shaft	1	

Transmission



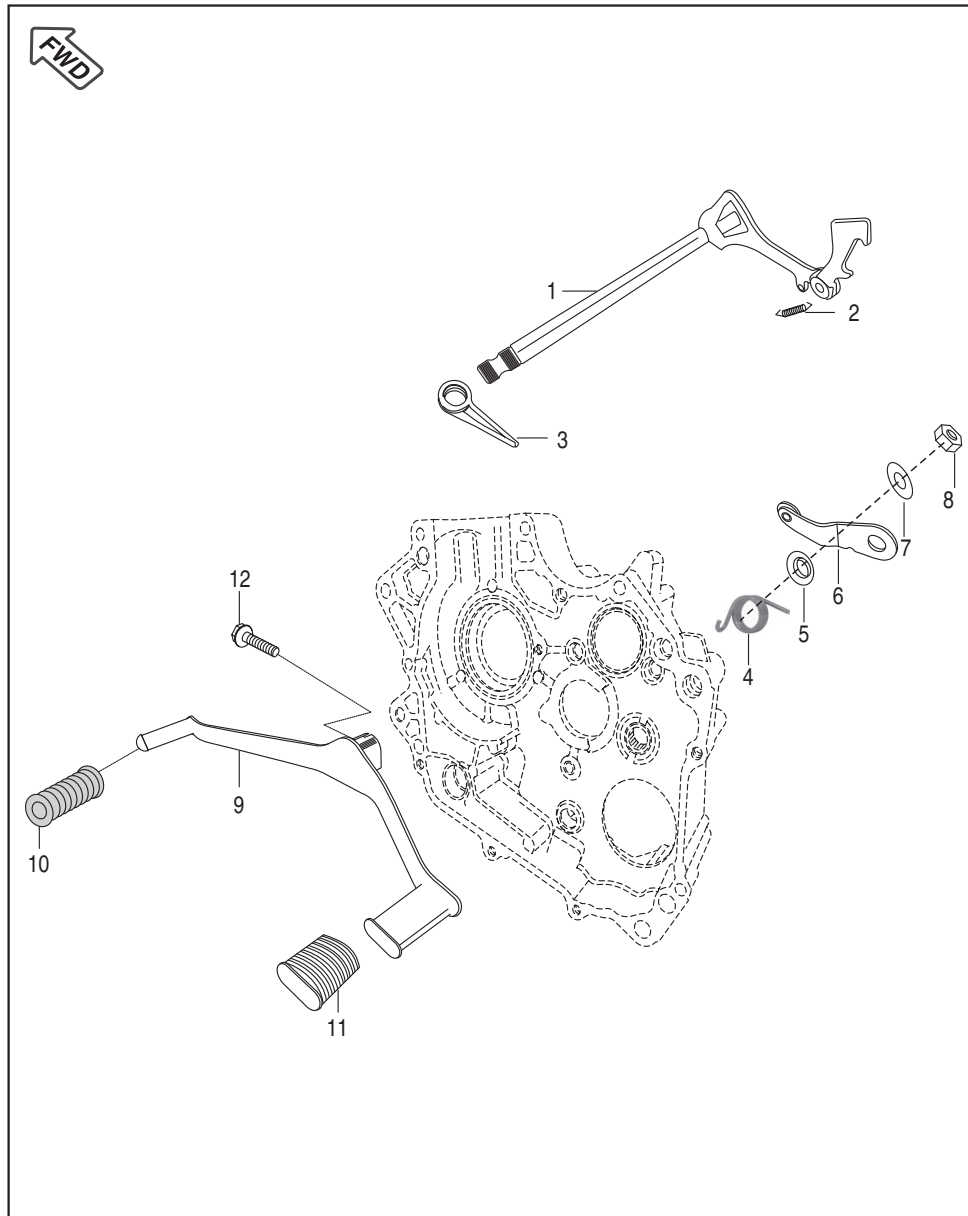
No.	Part No.	Description	Qty	Remarks
1	PF 5510 02	Shaft Input Transmission (Drive)	1	
2	PF 5512 02	Gear 4th Drive	1	
3	JA 5510 02	Spline Washer (17.2X20.5X1.5)	3	
4	39 0987 17	Ring Snap (17.2 X 20.5 X 1.5)	5	
5	PF 5512 01	Gear 3rd Drive	1	
6	PF 5512 00	Gear 2nd Drive	1	
7	JA 5510 04	Washer Thrust 2nd Drive	1	
8	PF 5510 03	Shaft Output Transmission	1	
9	PF 5512 06	2nd Driven Washer	1	
10	PF 5512 03	Gear 2nd Driven	1	
11	PF 5512 04	Gear 3rd Driven	1	
12	PF 5512 05	Gear 4th Driven	1	
13	JZ 5512 05	Bush 1st Driven	1	
14	JZ 5512 04	Gear 1st Driven	1	
15	JA 5510 08	Washer Thrust 1st Driven	1	
16	JA 5510 09	Collar Sprocket Drive	1	
17	59 2100 24	'O' Ring Collar Sprocket	1	
18	JZ 5510 04	Sprocket Drive (Engine Sprocket)	1	14 Teeth
19	DU 1012 13	Plate Lock Sprocket	1	
20	39 1981 04	Socket Head Bolt	2	

Change Drum / Shift Fork



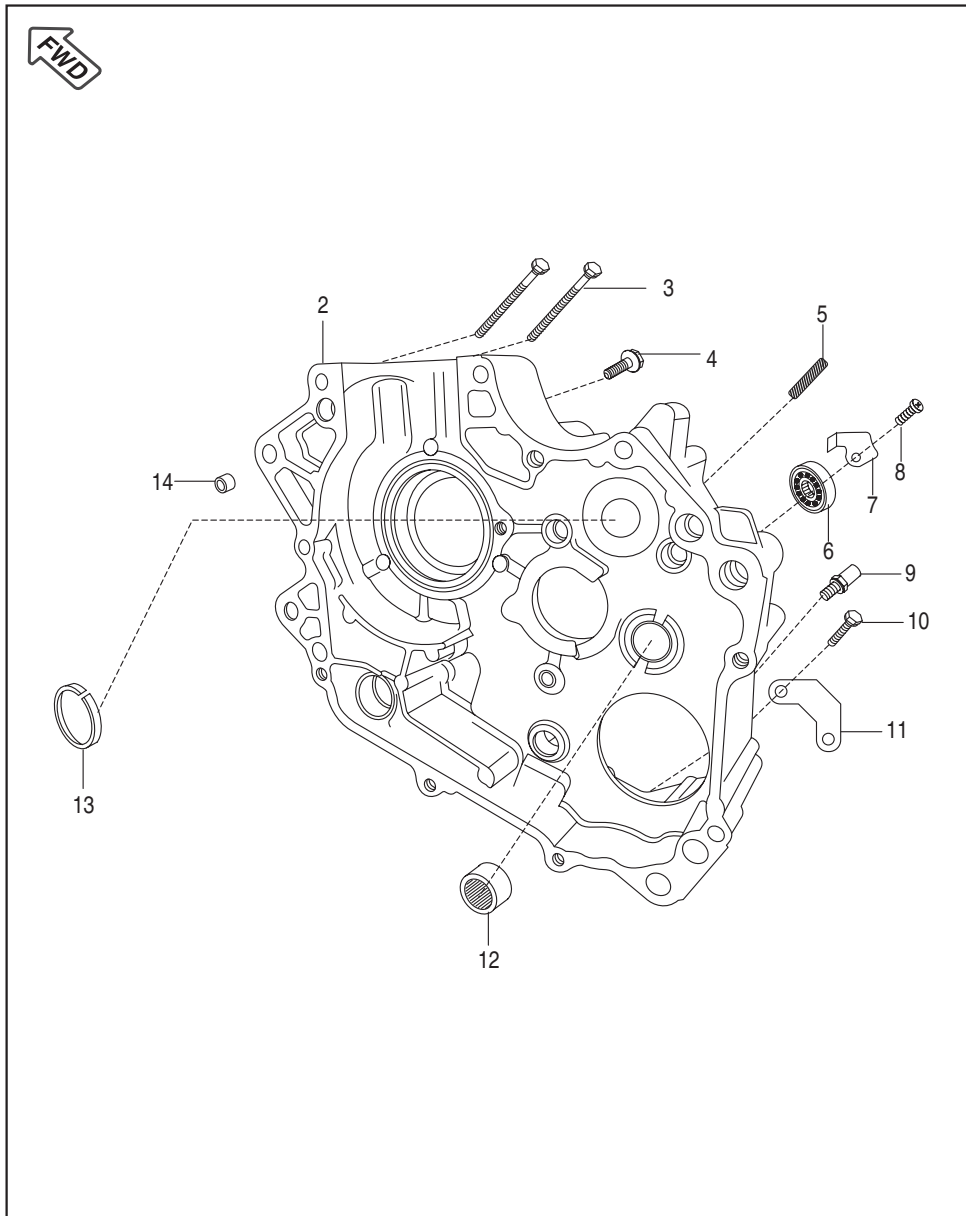
No.	Part No.	Description	Qty	Remarks
1	PF 5610 00	Drum Complete Gear Shift	1	
2	39 0992 06	Dowel (Pin Drum Change)	5	
3	JA 5610 02	Cam Drum Change	1	
4	JD 5610 11	Special Bolt Drum Change	1	M6 X 1
5	PF 5610 02	Shaft Gear Shift Fork	2	
6	JD 5610 04	Fork Gear Shift Output	1	
7	JZ 5610 02	Fork Gear Shift Input	1	

Gear Change Mechanism



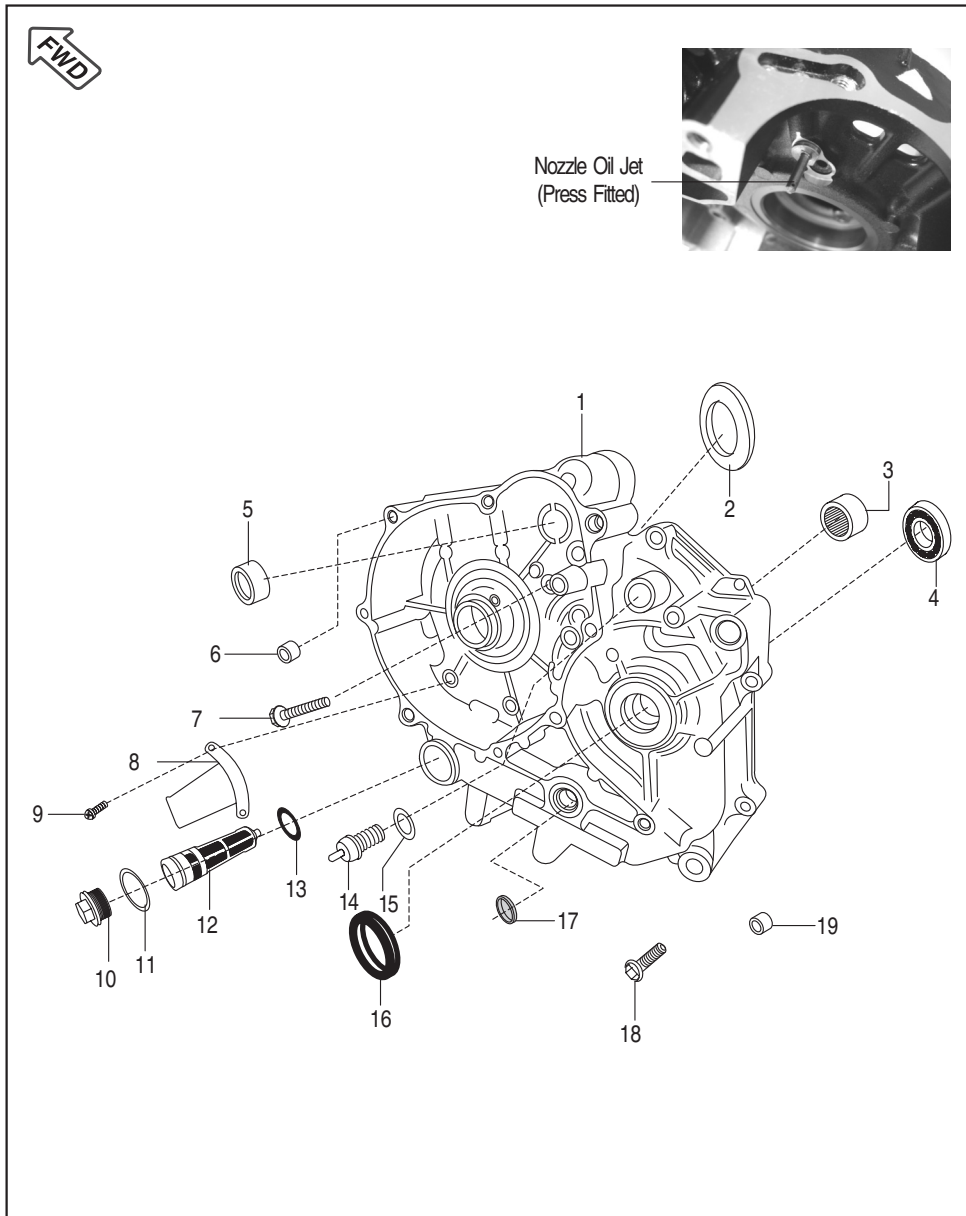
No.	Part No.	Description	Qty	Remarks
1	PF 5612 00	Lever Gear Shift Comp	1	
2	JW 5612 06	Extension Spring	1	
3	JW 5612 08	Spring Gear Shift Return	1	
4	JA 5612 08	Spring Inhibitor	1	
5	JA 5612 09	Step Washer (Collar)	1	
6	JA 5612 07	Inhibitor Complete Gear Shift	1	
7	39 2704 11	Plain Washer	1	
8	39 0817 15	Hex Nut / Flange - M6	1	
9	JZ 5614 01	Lever Gear Shift (Gear Pedal)	1	
10	DH 1015 09	Damper	1	
11	DG 1013 39	Damper	1	
12	JA 5612 11	Flange Bolt	1	

Engine Assembly / Crankcase RH



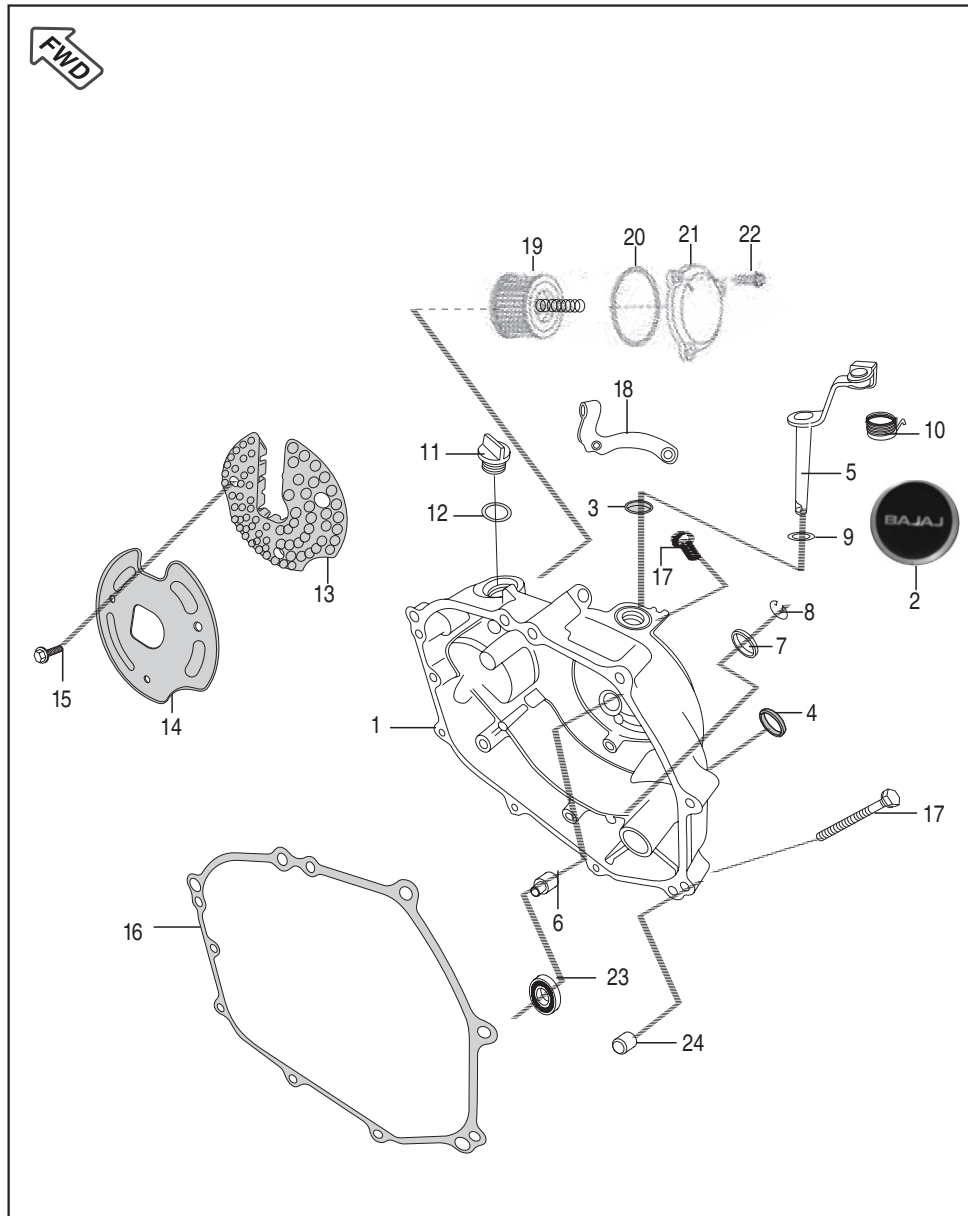
No.	Part No.	Description	Qty	Remarks
1	PF 5010 04	Engine Assly SS BM-150	1	N.I.
2	36 PF00 05	Kit Asly C'case RH BM150	1	NRB & Bush Drum Fitted
3	JV 5412 16	Bolt M6 X 85 Silver	2	Crankcase Mounting
4	JV 5410 07	Flange Bolt	1	Crankcase Mounting
5	JA 5410 15	Stud Inhibitor Mounting	1	
6	59 2000 36	6203 Ball Bearing	1	For I/P Shaft.
7	JA 5410 10	Stopper Plate	1	
8	DH 1013 80	Screw	1	
9	JA 5410 14	Bolt Shift Change	1	
10	39 1964 04	Flange Bolt - Small	2	
11	JA 5410 12	Guide Kick	1	
12	JA 5410 11	Needle Roller Bearing	1	For O/P Shaft.
13	PF 5410 18	Bushing Drum BM-150	1	
14	39 1000 06	Dowel Pin	2	

Crankcase LH



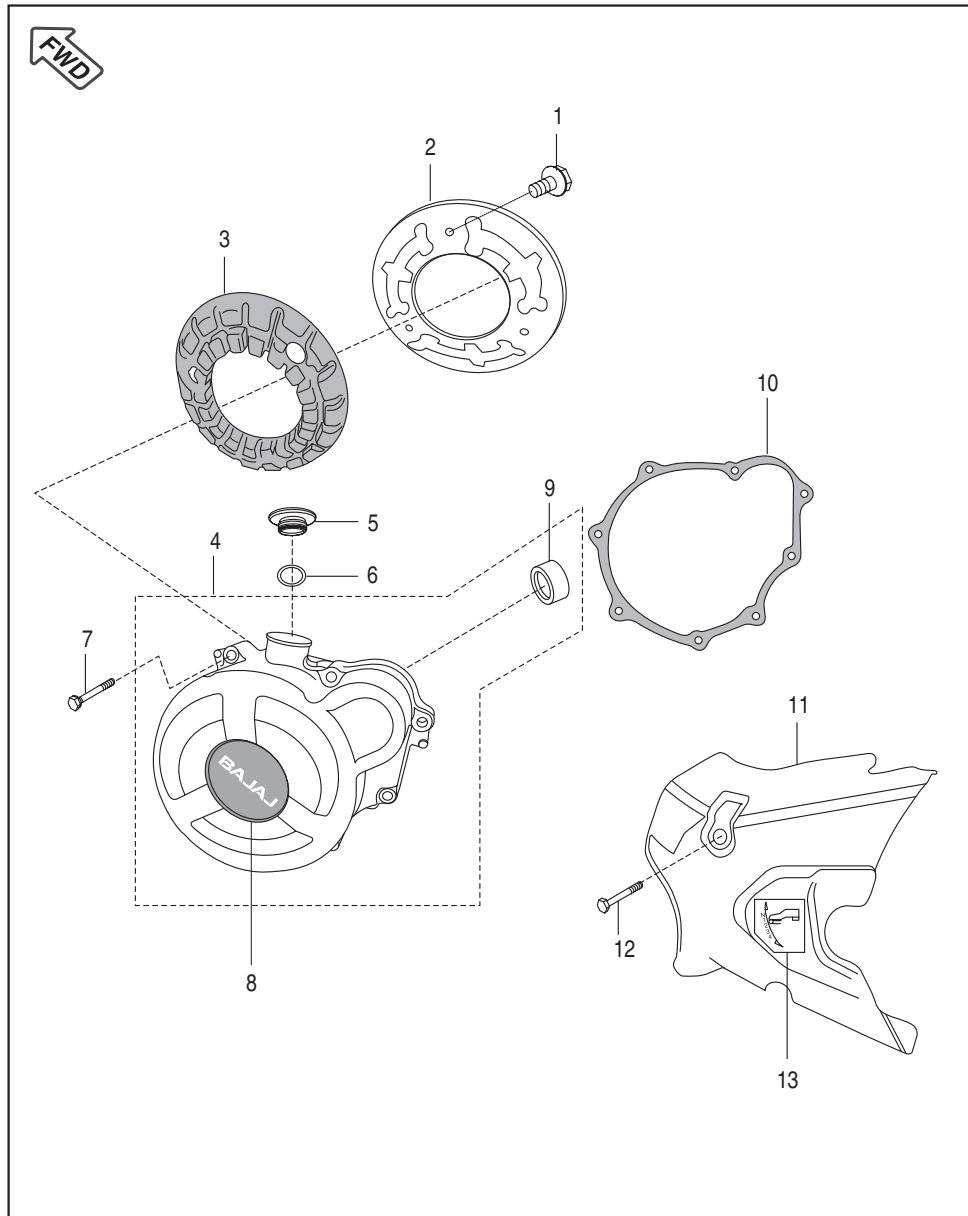
No.	Part No.	Description	Qty	Remarks
1	36 PF00 04	Kit Asly C'case Mag Side ES	1	NRB, Bush & Nozzle Oil Jet Fitted
2	JD 5410 00	Damper Crankshaft	1	
3	39 2562 20	Needle Roller Bearing	1	
4	59 2000 36	6203 Ball Bearing	1	
5	JA 5410 05	Bush Bendix	1	
6	39 1000 06	Pin Dowel	4	
7	39 1759 04	Bolt (M6 X 1 X 55L)	1	Crankcase Mounting
8	JA 5410 34	Stopper Gear Starter Aluminium	1	
9	39 0747 01	Screw Pan Cross M6	2	
10	JV 5410 06	Cap Oil Filter	1	
11	59 2100 23	Ring 'O'	1	
12	JG 5710 24	Mesh Oil Filter Assembly	1	
13	LJ A000 04	'O' Ring Strainer	1	
14	31 2010 81	Switch Complete	1	Neutral Switch
15	DH 1012 64	Gasket Neutral Switch (T.I.S)	1	
16	39 1715 19	Seal Oil	1	Output Shaft
17	39 2190 19	Oil Seal	1	Shifter Shaft
18	JV 5410 07	Flange - Bolt	6	Crankcase Mounting
19	39 0999 06	Hollow Dowel Pin	4	

Cover RH



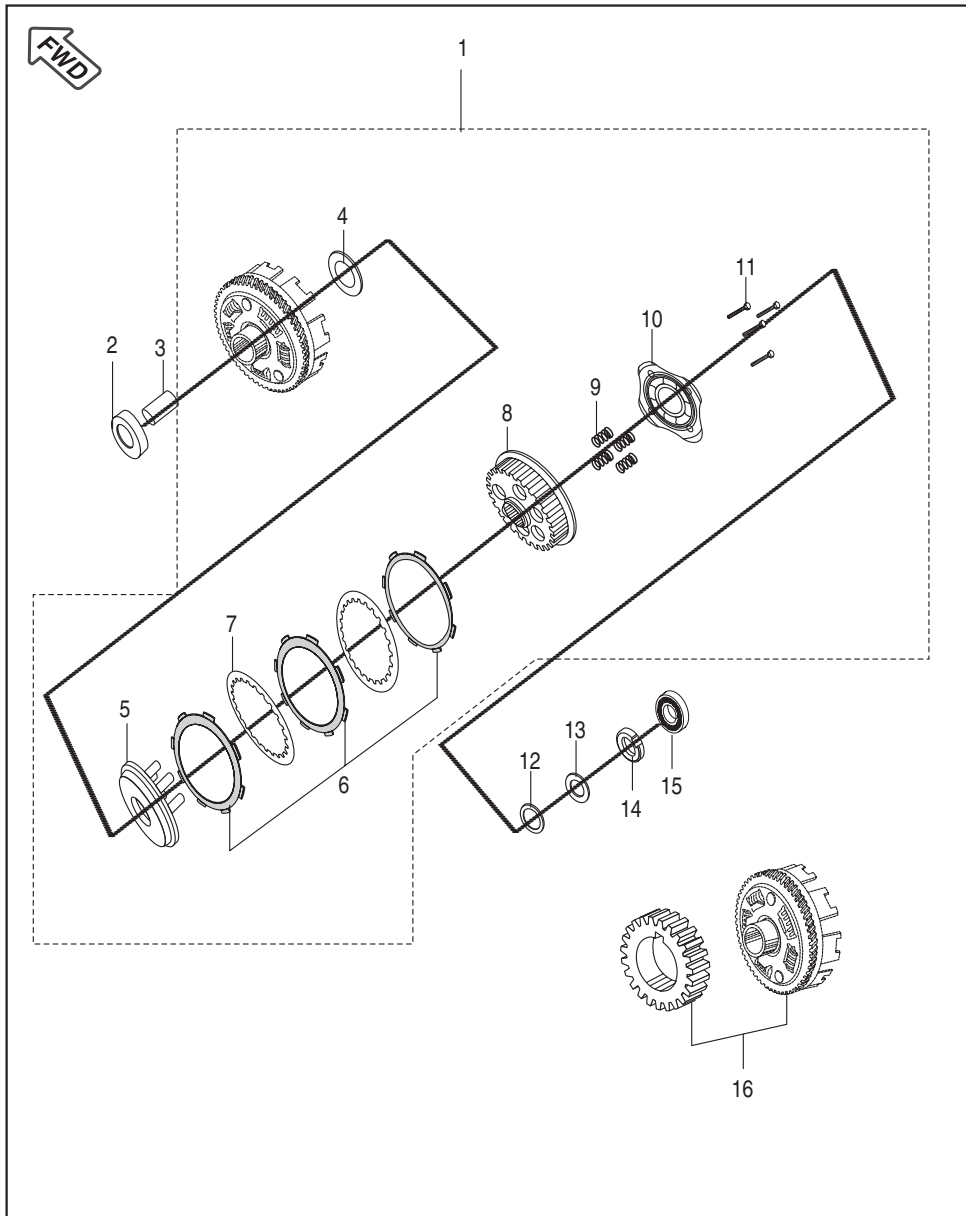
No.	Part No.	Description	Qty	Remarks
1	36 PF00 08	Kit Asly Cl Cover BM-150	1	Gauge & Circlip Fitted
2	JK 5412 14	Decal	1	
3	39 1041 19	Oil Seal Clutch Lever	1	
4	30 1011 42	Oil Seal (Kick Shaft)	1	
5	JV 5412 08	Shaft Clutch Release	1	
6	JE 5514 01	Rod Push	1	
7	DG 1014 18	Gauge	1	Oil Level Check
8	DS 1012 15	Wire Circlip	1	
9	JE 5412 13	Plain Washer	1	
10	JE 5412 14	Spring Torsion Clutch Lever	1	
11	JA 5412 11	Cap Oil Filler	1	
12	JA 5412 25	'O' Ring Cap Oil Filler	1	
13	JK 5412 12	Damper Clutch Cover	1	
14	JA 5412 16	Plate Damper	1	
15	DH 1013 88	Bolt Flange	3	
16	JA 5412 12	Gasket Clutch Cover	1	
17	JV 5410 07	Bolt Flange	8	Cl. Cover to C'case Mtg
18	JV 5412 09	Bracket Clutch Cable	1	
19	DD 1211 81	Oil Filter Element	1	
20	39 1671 21	'O' Ring	1	
21	JV 5412 05	Cap Filter	1	
22	JV 5412 17	Bolt Flange	3	
23	14 1510 33	Bearing Push Rod	1	
24	39 0999 06	Pin Hollow Dowel	2	

Cover Magneto



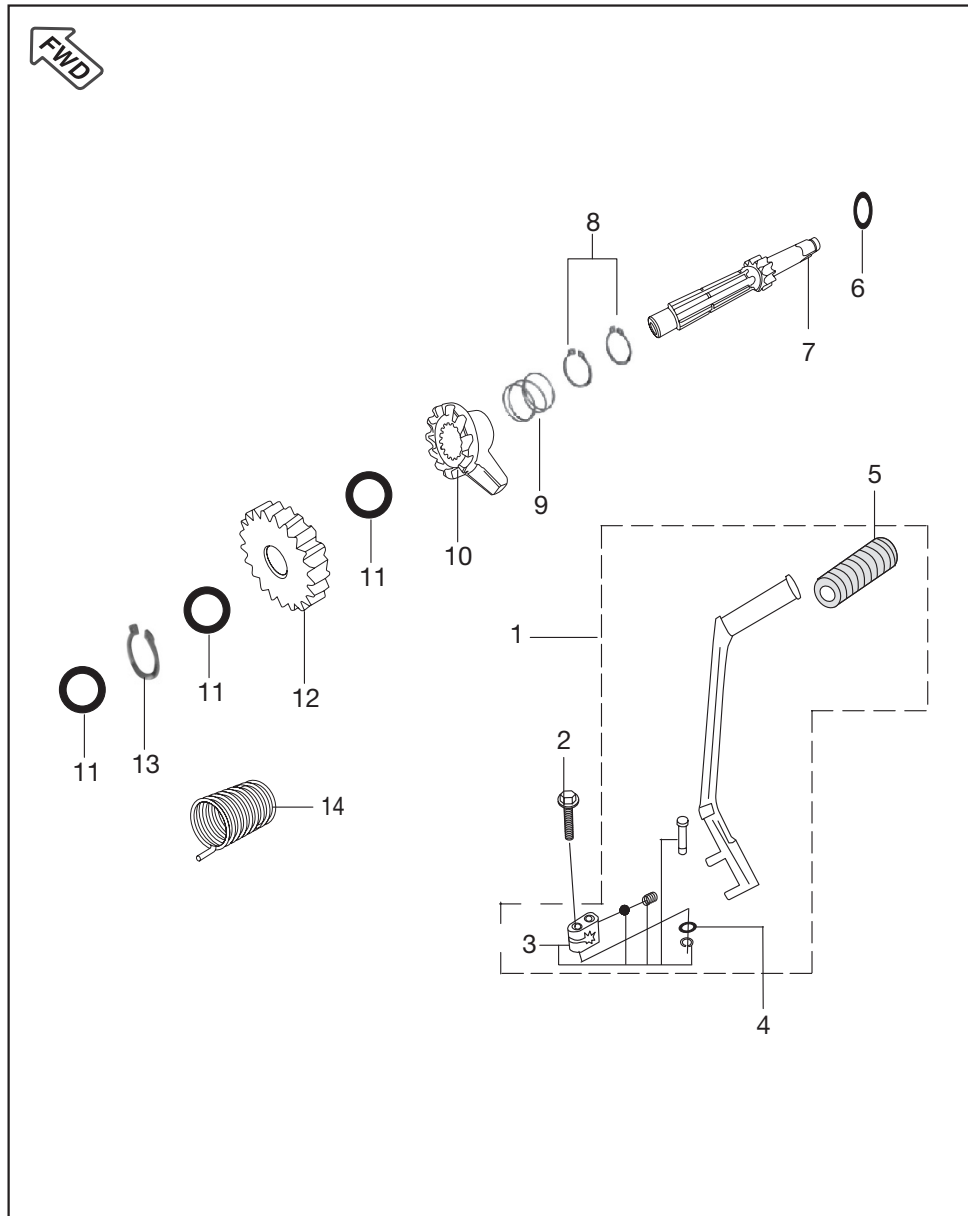
No.	Part No.	Description	Qty	Remarks
1	DH 1013 88	Flanged Bolt	3	
2	JA 5412 21	Plate Damper Cover Magneto	1	
3	JK 5412 13	Damper Cover Magneto	1	
4	36 PF00 07	Kit Assly Cover Magneto ES	1	Bush Fitted
5	JV 5412 07	Cap TDC Finder	1	
6	30 1011 95	'O' Ring	1	
7	JV 5412 15	Bolt M8 Silver colour	8	
8	JK 5412 14	Decal	1	
9	JA 5410 05	Bush	1	For Drive Gear Assly
10	JA 5412 05	Gasket Magneto Cover	1	
11	JV 5412 12	Cover LH Rear Complete	1	
12	JV 5410 07	Bolt	2	
13	DS 1611 50	Sticker Gear Shifting	1	

Clutch



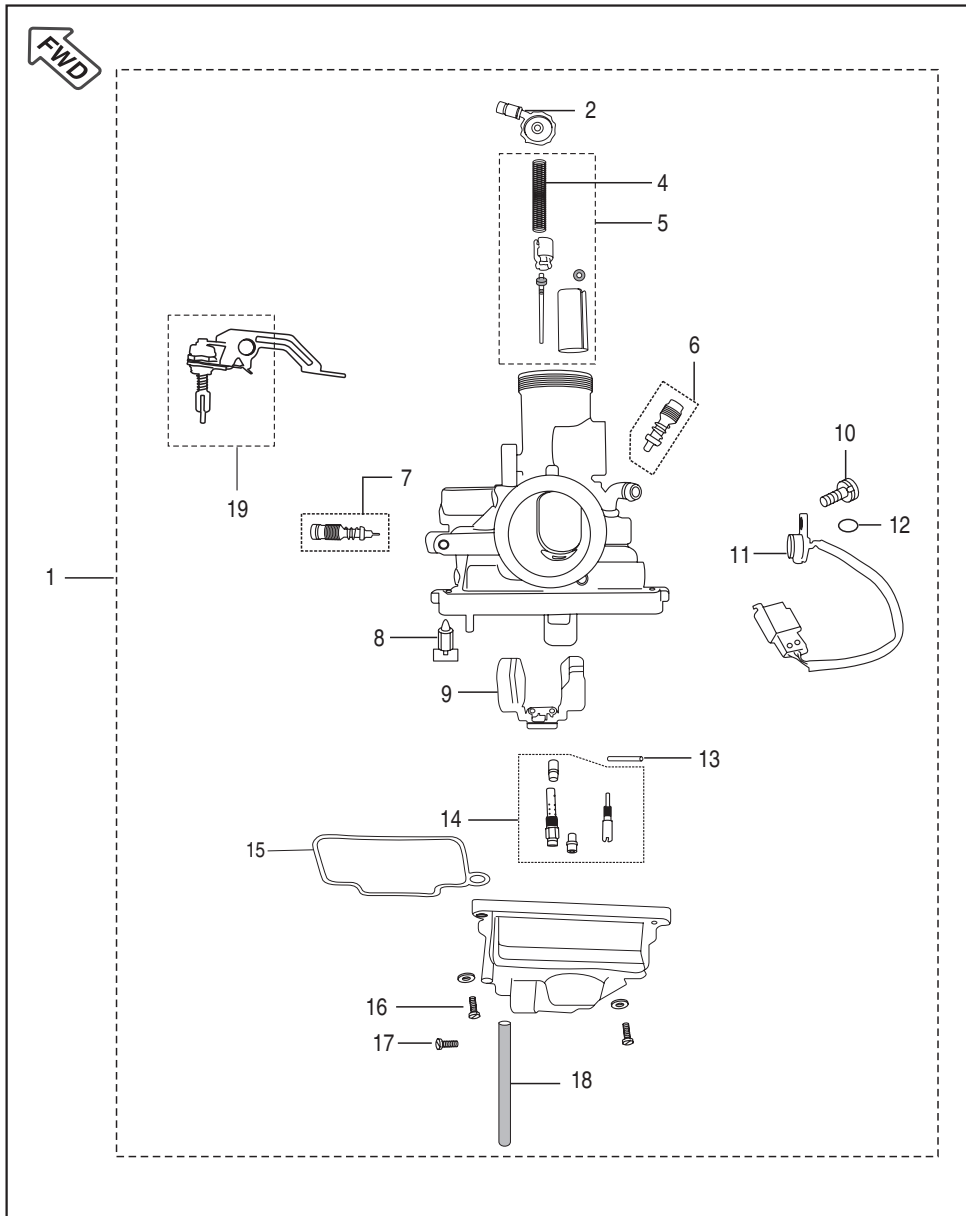
No.	Part No.	Description	Qty	Remarks
1	PF 5514 03	Clutch Assembly Complete	1	
2	JD 5514 00	Spacer Clutch Assly	1	
3	JA 5514 06	Collar Clutch	1	
4	39 2600 11	Washer	1	
5	JA 5514 14	Wheel Clutch	1	
6	36 PF00 09	Kit Plate Friction	1	Refer Page No. 97
7	JA 5514 19	Plate Clutch (Steel Plate)	4	
8	JA 5514 15	Hub Clutch	1	
9	PF 5514 05	Compression Spring	4	
10	PF 5514 06	Holder Clutch	1	
11	39 1553 04	Bolt Flange M6	4	
12	39 0240 11	Plain Washer	1	
13	39 2200 11	Belleville Washer	1	
14	DH 1016 48	Nut Special Clutch Center Lock	1	L.H. Threads
15	14 1510 33	Bearing Clutch Lifter	1	10 X 30 X 9
16	36 JZ00 03	Set Primary Drive & Driven	1	Refer Page No. 97

Kick Starter Mechanism



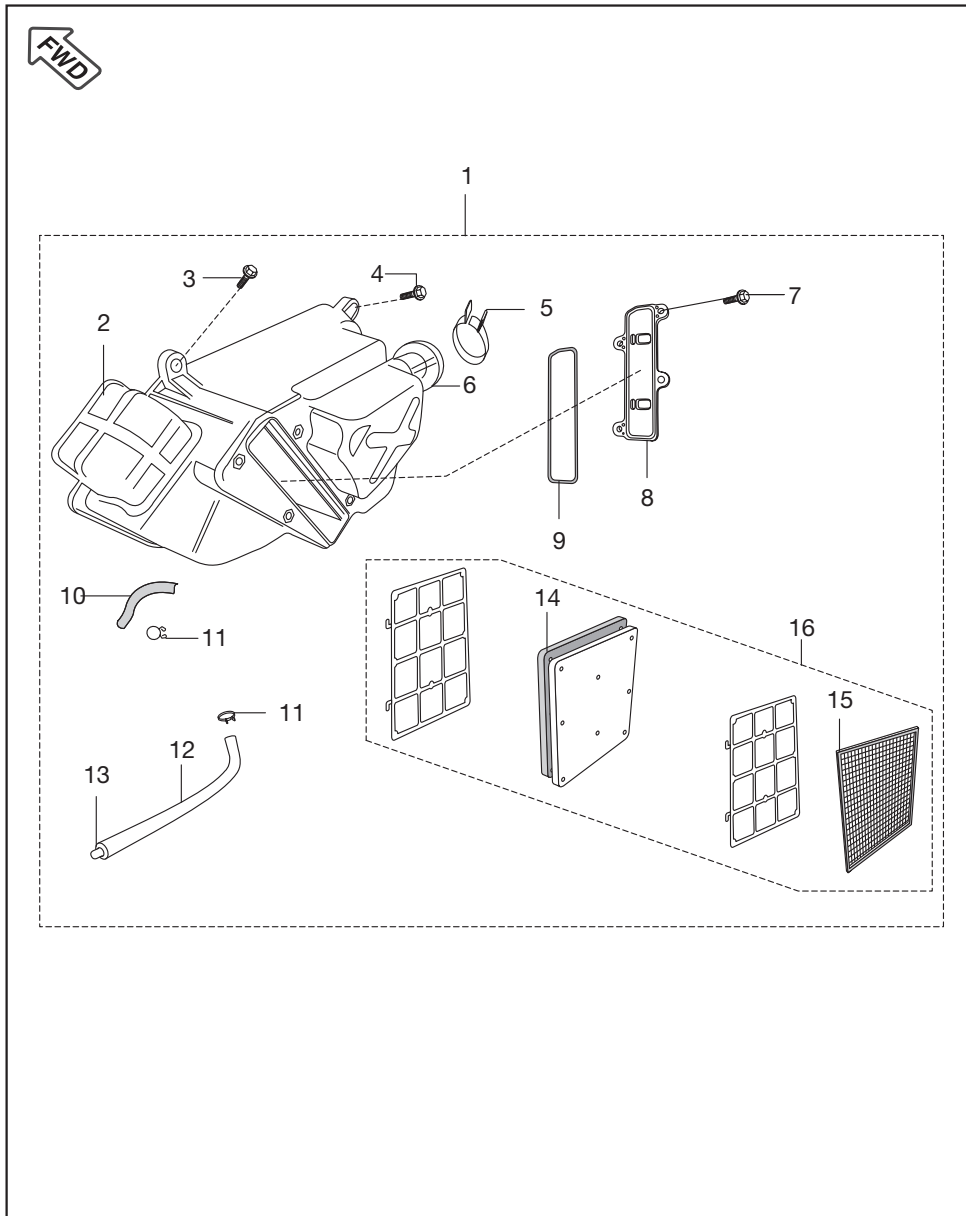
No.	Part No.	Description	Qty	Remarks
1	JA 6212 01	Lever Assly Kick	1	Refer Page No. 95
2	59 0400 25	Bolt Special	1	
3	36 DU10 07	Boss Kick Set	1	
4	22 1502 41	Plain Washer	1	
5	DD 1010 97	Kick Rubber	1	
6	JA 6210 06	Washer Thrust (16.2 X25 X 0.5)	1	
7	JA 6210 01	Shaft Kick	1	
8	39 0738 17	Circlip Shaft	2	
9	DS 1011 17	Spring Kick Starter Ratchet	1	
10	JA 6210 02	Ratchet	1	
11	39 0993 11	Plain Washer Small	3	
12	JZ 6210 00	Gear Kick Pinion	1	
13	39 2408 17	Circlip	1	
14	JE 5410 08	Spring Kick Starter Return	1	

Carburettor



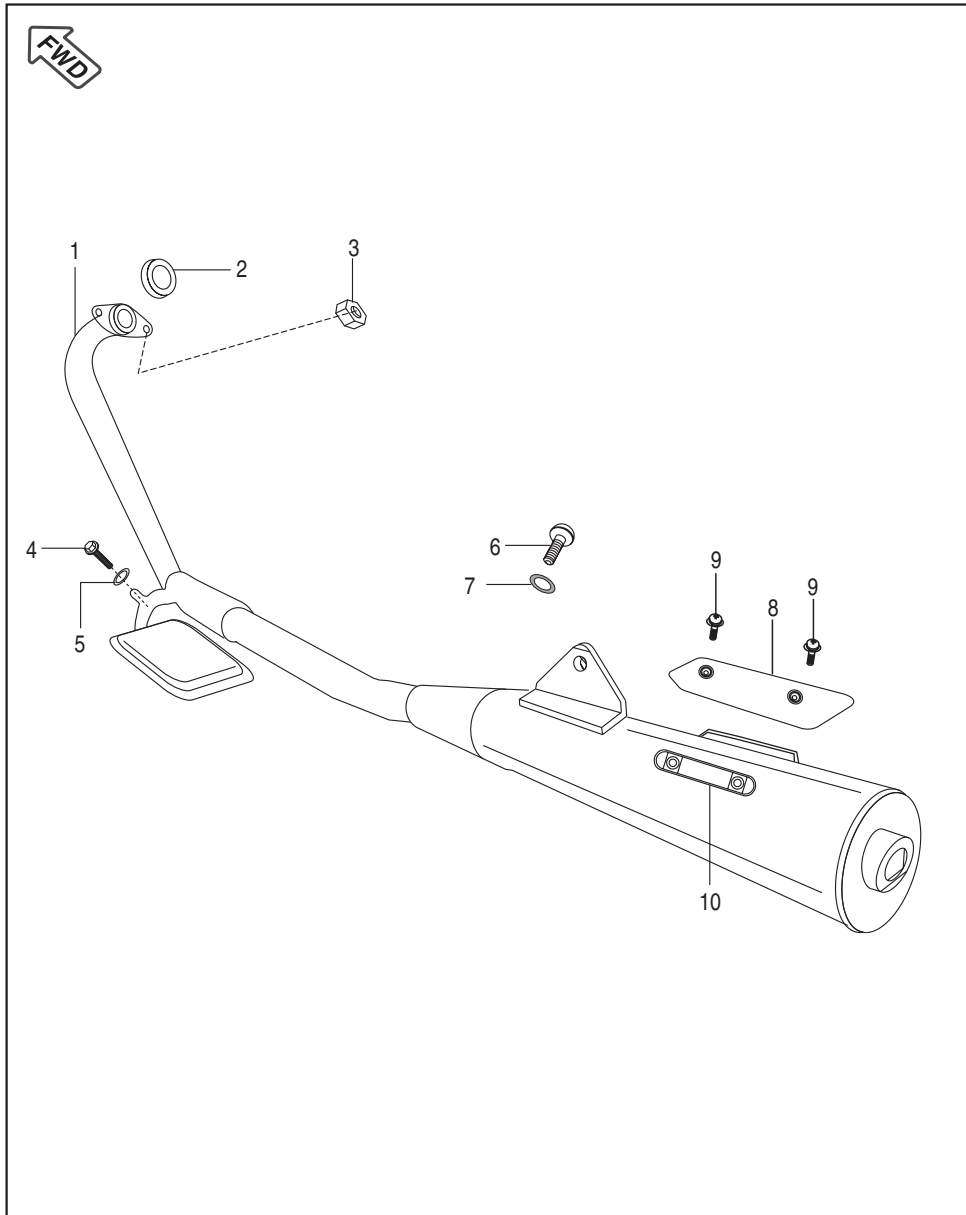
No.	Part No.	Description	Qty	Remarks
1	PF 5812 00	Carburettor Assly	1	
2	JA 5812 91	Cable Adjuster	1	
3	JA 5812 23	Mixing Cap Assembly	1	
4	JZ 5812 16	Spring	1	
5	36 PF00 22	Kit Piston Valve BM 150	1	Refer Page No. 96
6	DH 1211 69	Pilot Screw Kit	1	Refer Page No. 95
7	36 JZ00 16	Idling Screw Kit	1	Refer Page No. 96
8	JA 5812 21	Needle Valve Assembly	1	
9	24 1213 65	Float Complete	1	
10	JA 5812 33	Screw TPS	1	
11	JB 5812 02	Throttle Position Sensor	1	
12	JB 5812 04	"O" Ring (TPS)	1	
13	24 1210 69	Arm Pin Float	1	
14	36 PF00 21	Kit Jet BM 150	1	Refer Page No. 95
15	JA 5812 32	Gasket Float Chamber		
16	CB 1210 42	Screw Washers Bowl M4x14	4	
17	JA 5813 14	Drain Screw	1	
18	JZ 5812 20	Hose Drain	1	
19	36 PF00 23	Kit Choke Plunger BM 150	1	
20	36 PF00 24	Kit Carburetor Gasket/O Ring	1	N.I. Refer Page No. 96

Air Cleaner Complete



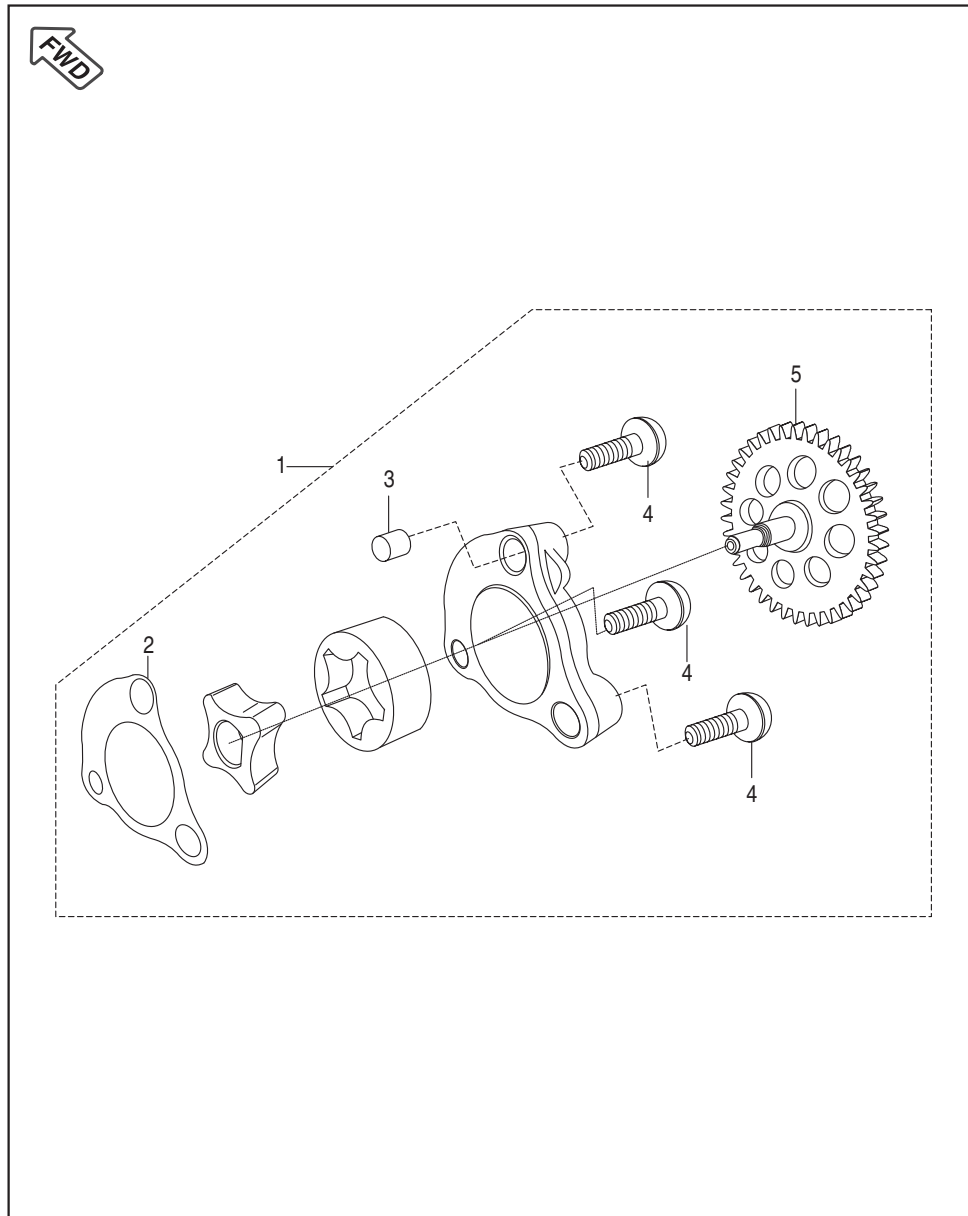
No.	Part No.	Description	Qty	Remarks
1	PF 5810 03	Air Filter Assly	1	
2	JB 5810 01	Air Intake Duct	1	
3	39 1677 04	Hex Head Screw	2	
4	DF 1614 26	Washer	2	
5	DH 1210 38	Clamp	1	N.I.
6	PF 5810 02	Duct Air Intake	1	Intake
7	39 1773 04	Flange Bolt	4	
8	JA 5810 13	Filter Air Cover	1	
9	JA 5810 11	'O' Ring Cartridge Cover	1	
10	JA 5110 11	Hose Breather	1	N.I.
11	DP 1210 25	Clamp	1	
12	JA 5810 12	Tube Drain	1	
13	DS 1211 26	Plug	1	
14	JA 5810 06	Element Air Filter	1	
15	JA 5810 09	Flame Arrester	1	
16	JA 5810 05	Assly Catridge Air filter	1	

Silencer Assembly



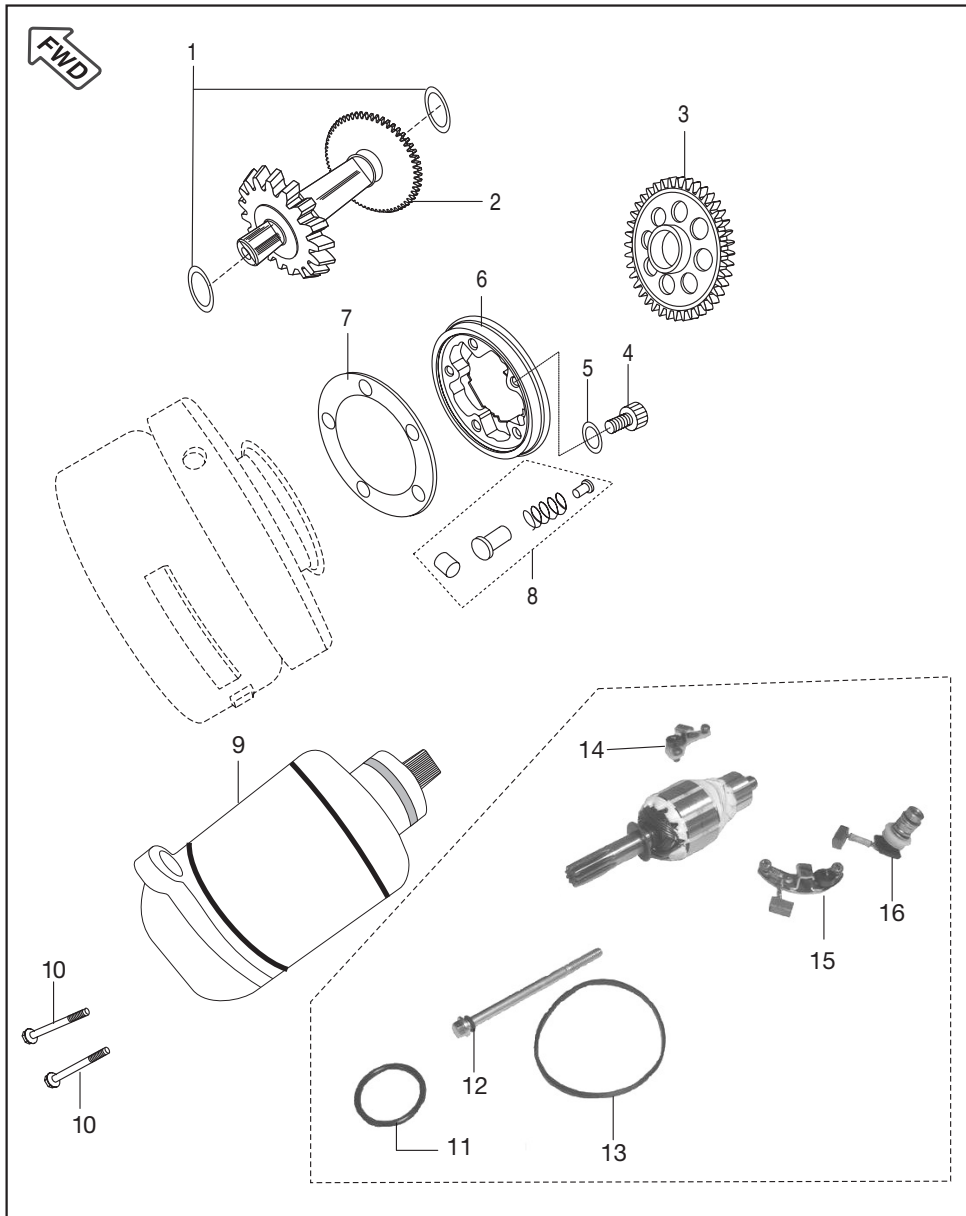
No.	Part No.	Description	Qty	Remarks
1	36 PF00 25	Kit Assly Silencer W/O Shields	1	
2	CB 1011 14	Gasket Exhaust Mounting	1	
3	JA 5910 40	Flange Nut	2	
4	39 2754 04	Bolt Hex with Flange M5	1	
5	39 2492 11	Plain Washer	1	
6	39 2722 04	Bolt M10 x 1.25	1	
7	JB 1130 05	Washer	2	
8	PF 5910 45	Shield Muffler	1	
9	DH 1016 07	Truss Screw	4	
10	PF 5910 43	Wire Shield	1	

Oil Pump



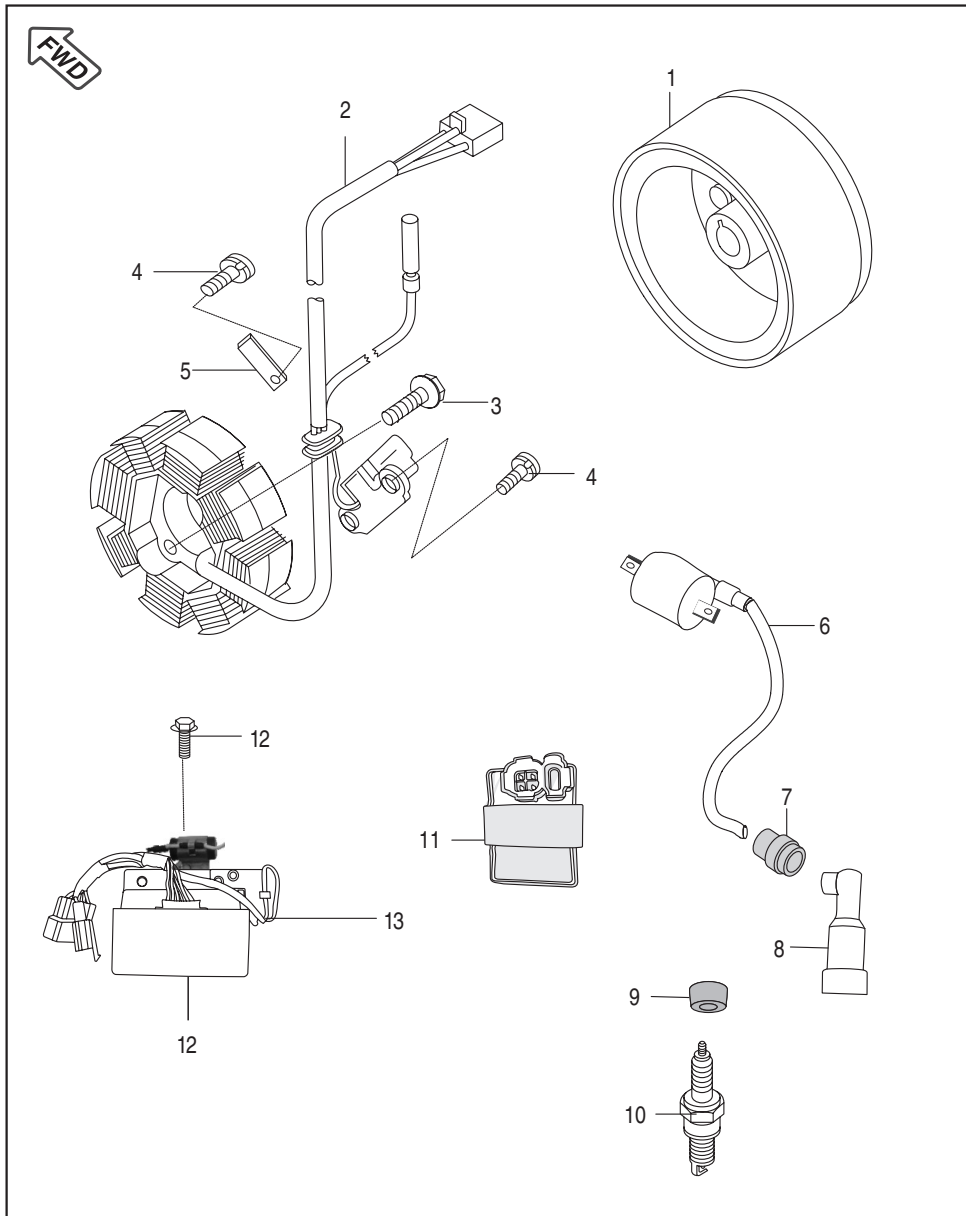
No.	Part No.	Description	Qty	Remarks
1	PF 5710 00	Oil Pump Assly	1	
2	JA 5410 16	Gasket Case Oil Pump	1	
3	39 0999 06	Dowel	2	
4	FD 1010 78	Pan Head Screw M6 X 1 X 3DL	3	
5	PF 5710 01	Gear Oil Pump	1	

Starter Assembly



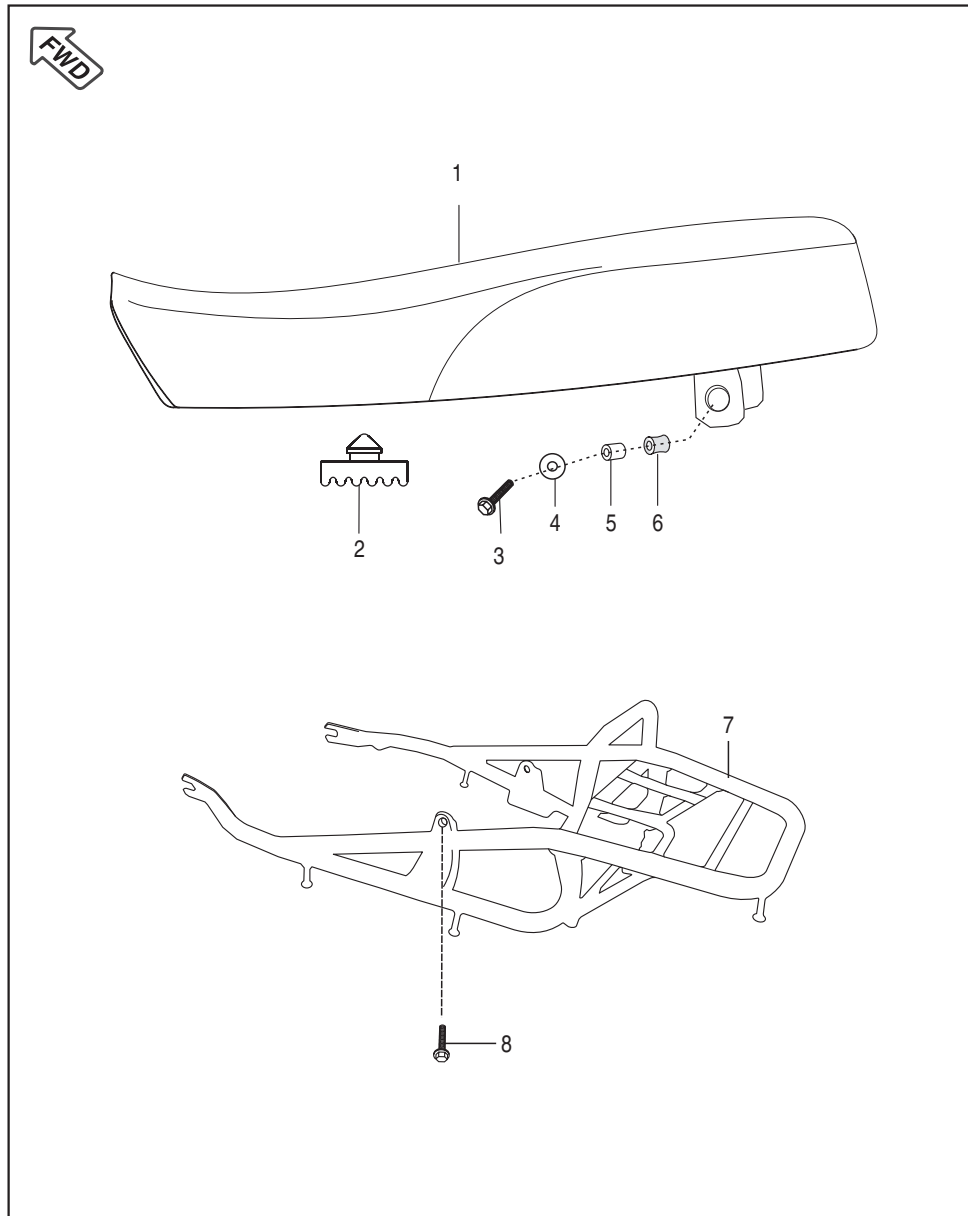
No.	Part No.	Description	Qty	Remarks
1	JA 6214 02	Washer	2	
2	JA 6214 06	Starter Drive Assly	1	
3	JA 6214 10	Gear Starter Clutch	1	
4	DH 1013 80	Screw - Pan - Precoated	3	
5	39 0849 14	Washer lock - Toothed	3	
6	JA 6214 14	Body Complete Starter Clutch	1	
7	DH 1017 81	Plate Roller Clutch	1	
8	36 JZ00 08	Starter Clutch Repair Kit	1	Refer Page No. 97
9	PF 3516 00	Motor Assly	1	
10	JV 5912 17	Flange Bolt	2	Motor Mounting
11	JA 3516 02	'O' Ring For Spigot (Flash)	1	
	JA 3516 27	'O' Ring For Spigot (Lucas-TVS)		
12	JA 3516 04	'O' Ring For Tie Bolt (Flash)	1	
13	JA 3516 06	Sealing Ring (Flash)	1	
	JA 3516 26	Sealing Ring (Lucas-TVS)		
14	JA 3516 08	+ve Brush Holder Assly (Flash)	1	
15	JA 3516 09	-ve Brush Holder Assly (Flash)	1	
16	JA 3516 19	Terminal Assly (Lucas-TVS)	1	
17	JA 3516 18	Brush & Earth Plate Assly	1	N.I. (Lucas-TVS)
18	JA 3516 24	Brush Spring (Lucas-TVS)	1	N.I.

Magneto / CDI / H.T. Coil



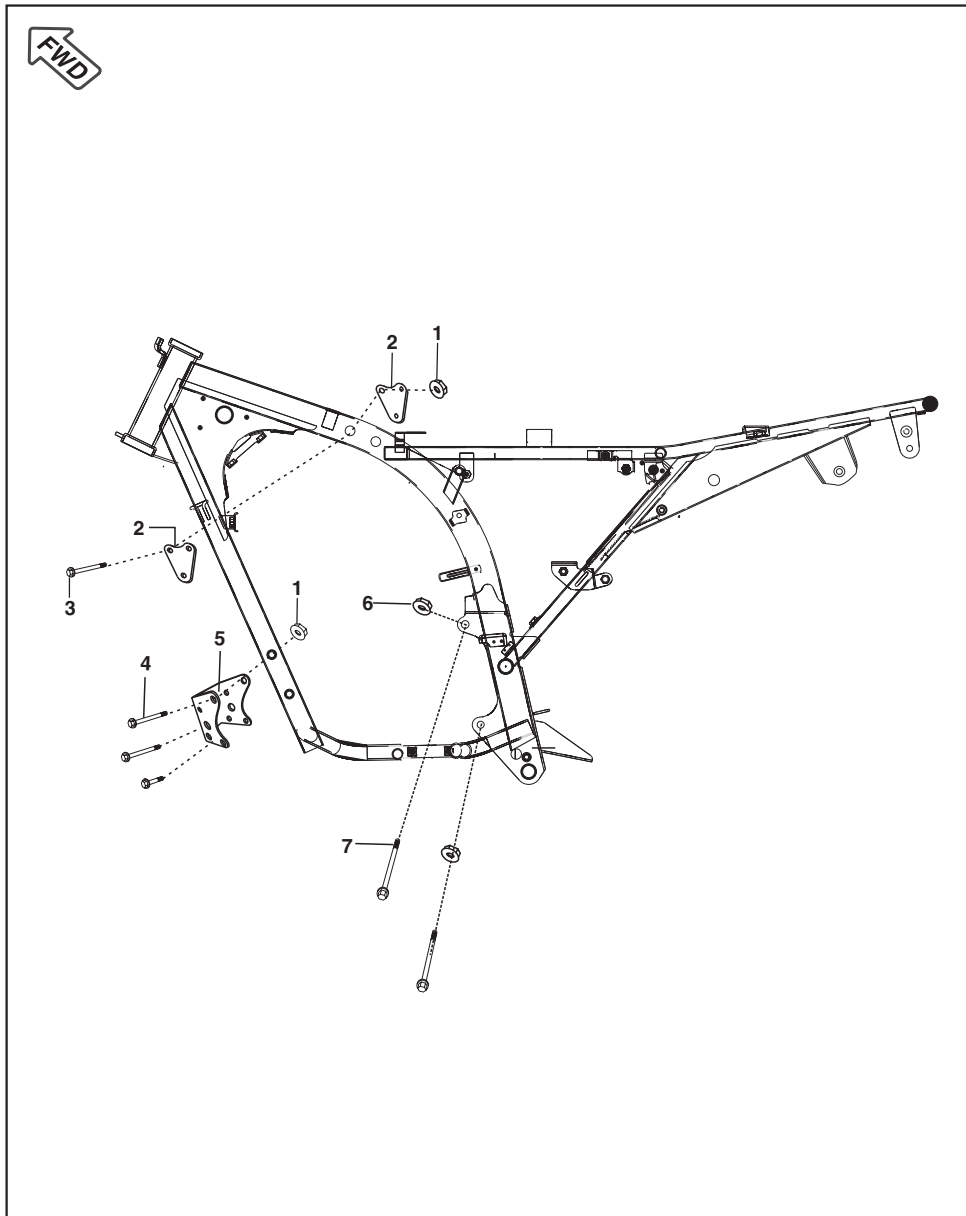
No.	Part No.	Description	Qty	Remarks
1	PF 3510 03	Rotor Assly ES	1	
2	PF 3510 04	Stater Assly Complete	1	
3	39 1675 04	Bolt Flange M6 X 28	2	
4	DH 1013 80	Pan Head Screw M6 X 12	3	For Lock Plate &
5	JA 5410 28	Lock Plate	1	Pick Up Coil Mounting
6	JV 3512 04	H. T. Coil With Cable	1	
7	DD 1110 12	Grommet for HT Cable	1	
8	DD 1110 48	Spark Plug Cap LH	1	
9	DD 1110 11	Grommet Spark Plug Cap LH	1	
10	DD 1110 18	Spark Plug PRZ9 HC	1	
	CF 1110 19	Spark Plug UR4AC		
11	PF 3512 01	C.D.I. Assly	1	Red Colour
12	39 1943 04	Bolt Flange M6	2	
13	JN 4020 00	DC Regulator With Capacitor	1	
15	59 0400 14	Bolt Flange (N.I.)	4	For HT Coil Mounting

Seat Assly / Grip Frame



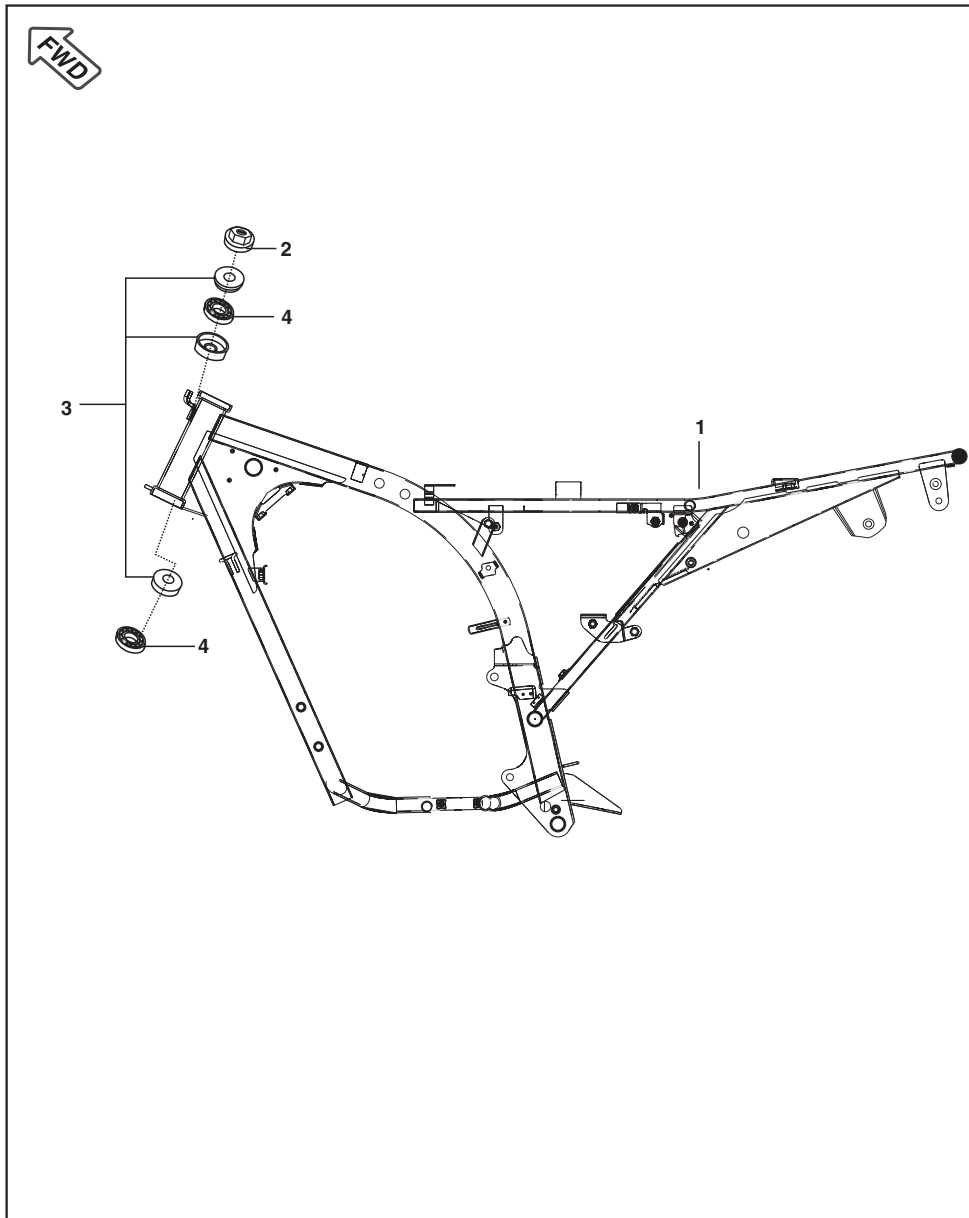
No.	Part No.	Description	Qty	Remarks
1	PF 1910 00	Seat assly. complete	1	
2	DP 2110 09	Damper For Seat	7	
3	LA C000 21	Bolt Hexagon Socket Head	2	
4	39 1211 11	Washer Plain	2	
5	FD 2110 07	Spacer Seat	2	
6	FD 2110 06	Grommet Seat	2	
7	PF 2314 04	Grip Frame	1	
8	39 1556 04	Bolt Flange	2	

Engine Mountings



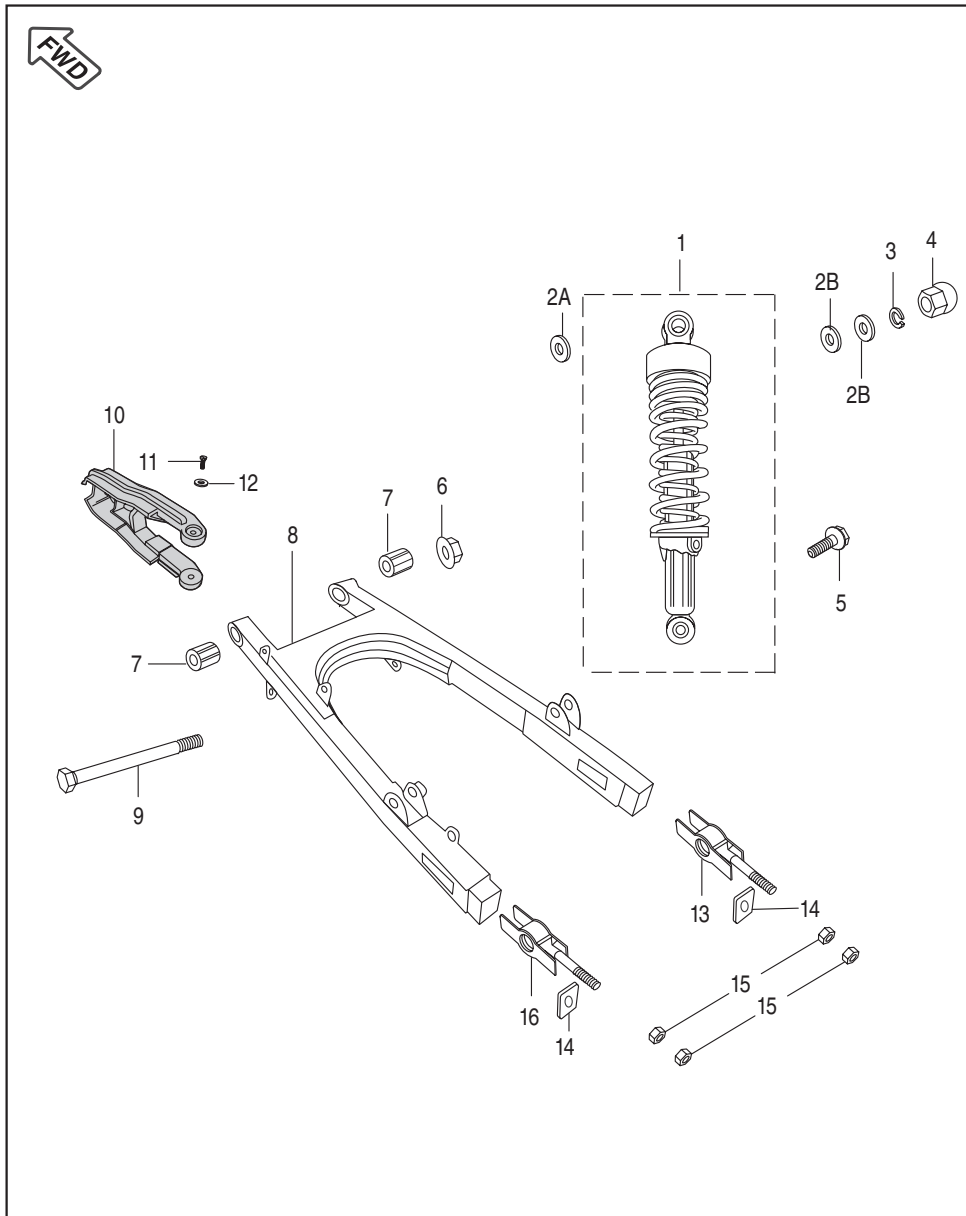
No.	Part No.	Description	Qty	Remarks
1	39 1970 15	Nut Flanged	7	For engine mtg. Top & Front
2	PF 1134 02	Bracket Engine Hanger	2	
3	39 2312 04	Bolt Flanged	3	For engine mtg. Top
4	59 0400 17	Hex Bolt Flanged	4	For engine mtg. Front
5	JA 1134 02	Engine Mounting Bracket Front	1	
6	39 2723 15	Hex Nut Flanged	2	For engine mtg. Rear
7	JA 1134 03	Bolt Flanged	2	For engine mtg. Rear

Frame & Frame Fittings



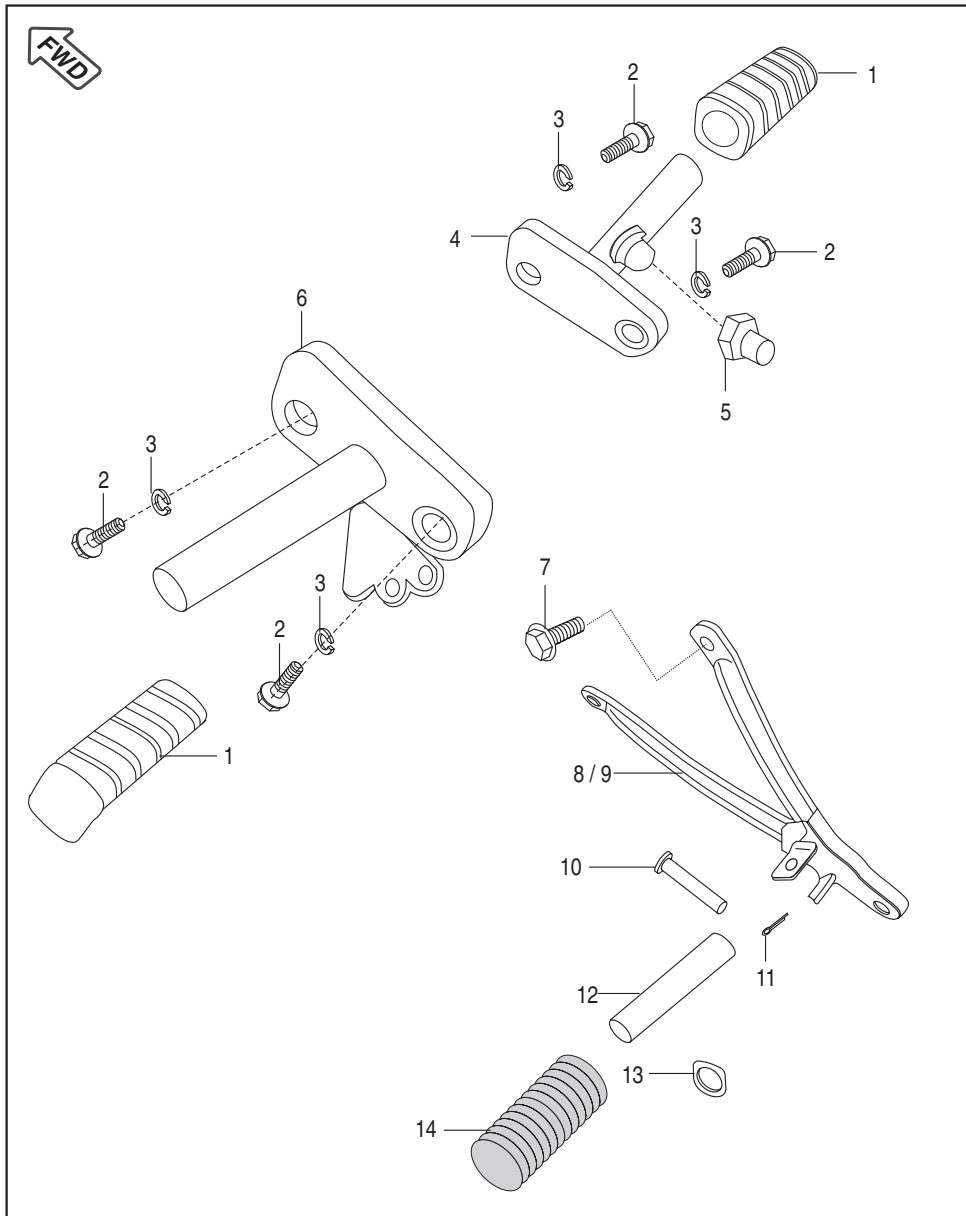
No.	Part No.	Description	Qty	Remarks
1	PF 1110 00	Frame Assly.	1	
2	DS 1810 18	Nut with Dust Cap	1	
3	36 3140 01	Bearing cone Kit	1	Refer Page No. 96
4	DJ 1811 15	Cage Bearing	2	
5	DH 1810 14	Cup Steering		N.I.

Swing Arm / Rear Shock Absorber



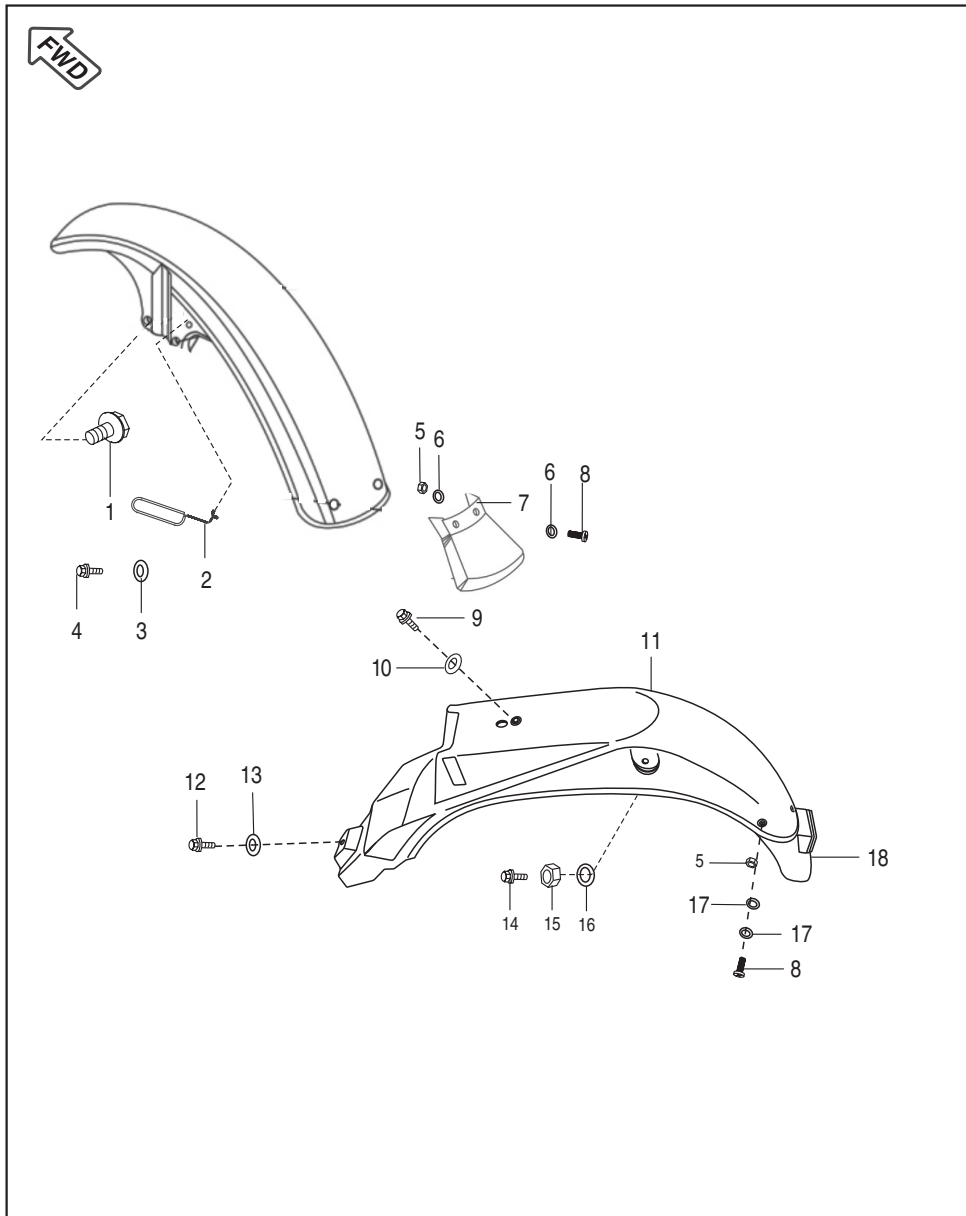
No.	Part No.	Description	Qty	Remarks
1	PF 1220 05	Rear Shock Absorber	2	
2A	39 0714 11	Plain Washer	2	For RSA
2B	39 2349 11	Plain Washer	4	
3	39 0789 12	Spring Washer	2	
4	39 2366 15	Domed Cap Nut	2	
5	JB 1220 16	Hex Bolt / Flange - M10	2	For RSA
6	39 0939 15	Nylock Nut	1	
7	DP 1710 06	Bushing Rubber	2	
8	36 PF00 14	Kit Asly Swing Arm	1	With Bushes
9	JA 1210 03	Shaft Swing Arm	1	
10	JB 1220 03	Chain Slider	1	
11	39 0553 02	Screw	2	For Chain Sider
12	39 0454 11	Plain Washer	2	For Chain Sider
13	DJ 1510 36	Adjuster Chain LH	1	
14	DJ 1510 47	Plate Chain Adjuster	2	
15	39 0292 15	Hexagon Nut	4	
16	DJ 1510 37	Adjuster Chain RH	1	

Rider Foot Rest / Pillion Foot Rest



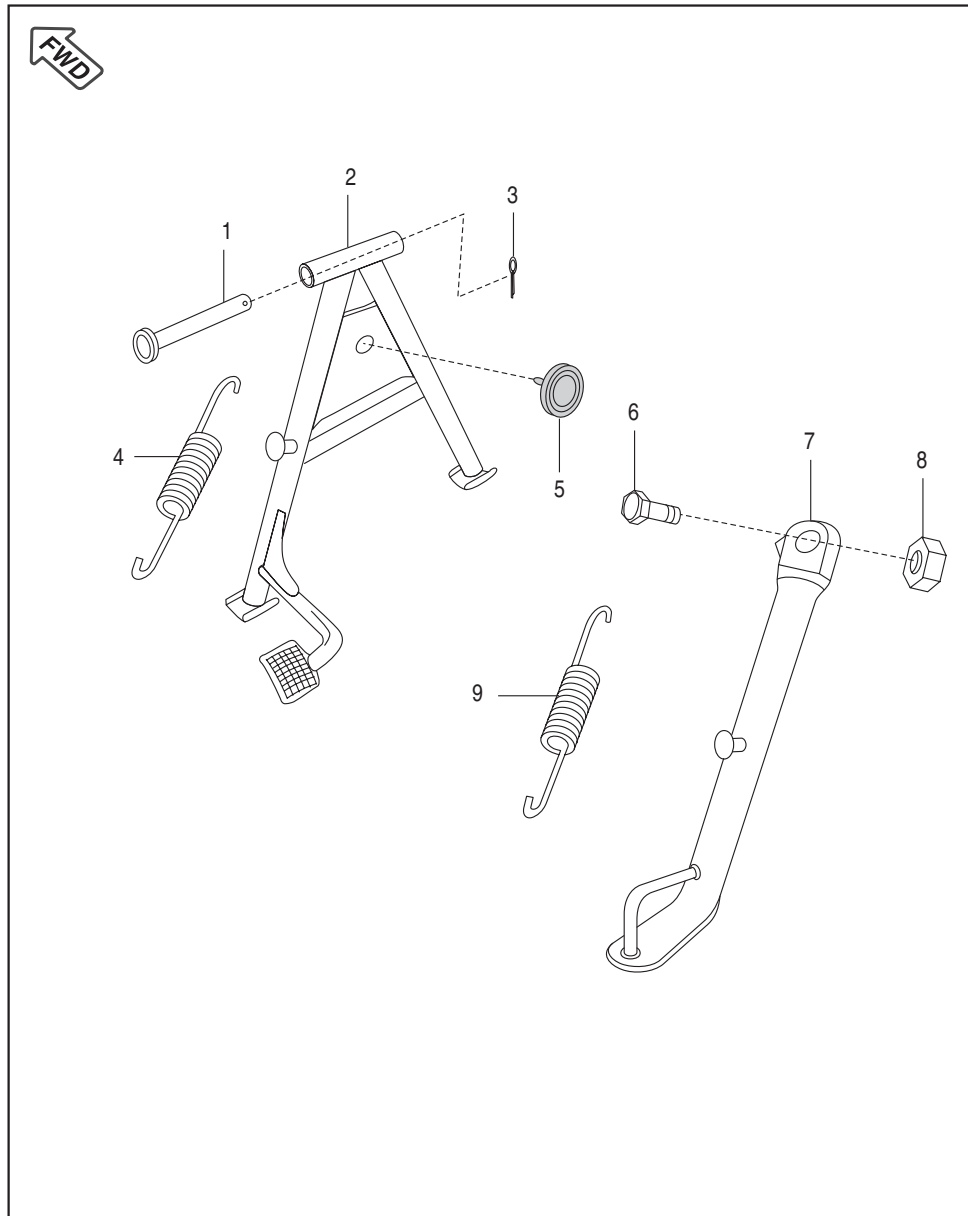
No.	Part No.	Description	Qty	Remarks
1	DF 1614 13	Rubber Main Step	2	
2	KA DF08 22	Bolt Flanged	4	
3	39 2659 12	Washer - Spring	4	
4	PF 1130 01	Main Step RH	1	
5	DH 1611 94	Kick Stopper	1	For Kick stopper
6	PF 1130 00	Main Step LH	1	
7	39 2481 04	Bolt Hex With Flange M8	4	
8	PF 1130 02	Stay LH	1	
9	PF 1130 03	Stay RH	1	
10	30 1710 22	Pin Pillion Step	2	
11	39 0784 08	Split Pin	2	
12	DP 1611 70	Step RH / LH	2	
13	DP 1611 63	Washer for foot step	2	For Rear Footrest
14	JK 1130 08	Rubber Pillion Step	2	

Mudguard - Front & Rear



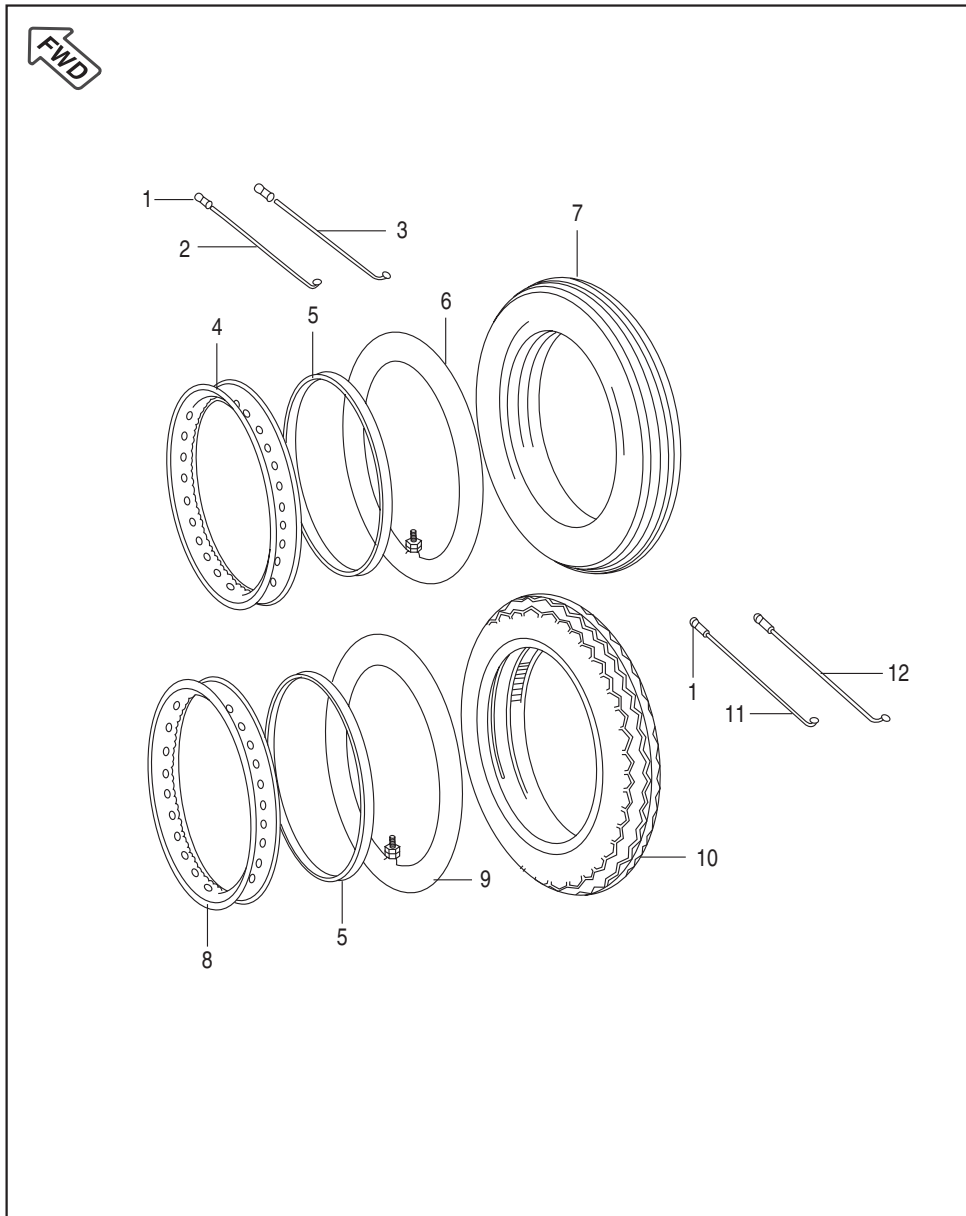
No.	Part No.	Description	Qty	Remarks
1	39 2222 04	Flange Bolt	4	Fender Front Mounting
2	DF 1910 20	Cable Guide	1	
3	39 1309 11	Washer Plain	1	
4	39 2473 04	Bolt Hex M6	1	
5	39 0326 15	Nyloc Nut	6	Front & Rear Fender Flap
6	39 0242 11	Washer	6	Front Fender Flap
7	PF 1814 08	Mud Flap Front Fender	1	
8	39 2420 01	Screw	6	Front & Rear Fender Flap
9	39 1556 04	Hex. Bolt Flange M8	1	
10	39 1507 11	Washer Plain	1	
11	JV 1814 08	Fender Rear	1	
12	39 1943 04	Bolt Flange	1	
13	39 0211 11	Washer Plain	1	
14	KA DF08 20	Bolt Flange	2	
15	39 1970 15	Nut Hexagon M8	2	
16	39 1507 11	Washer Plain	2	
17	39 1839 11	Washer	6	Rear Fender Flap
18	JV 1814 10	Fender Rear Flap	1	

Stand Assembly



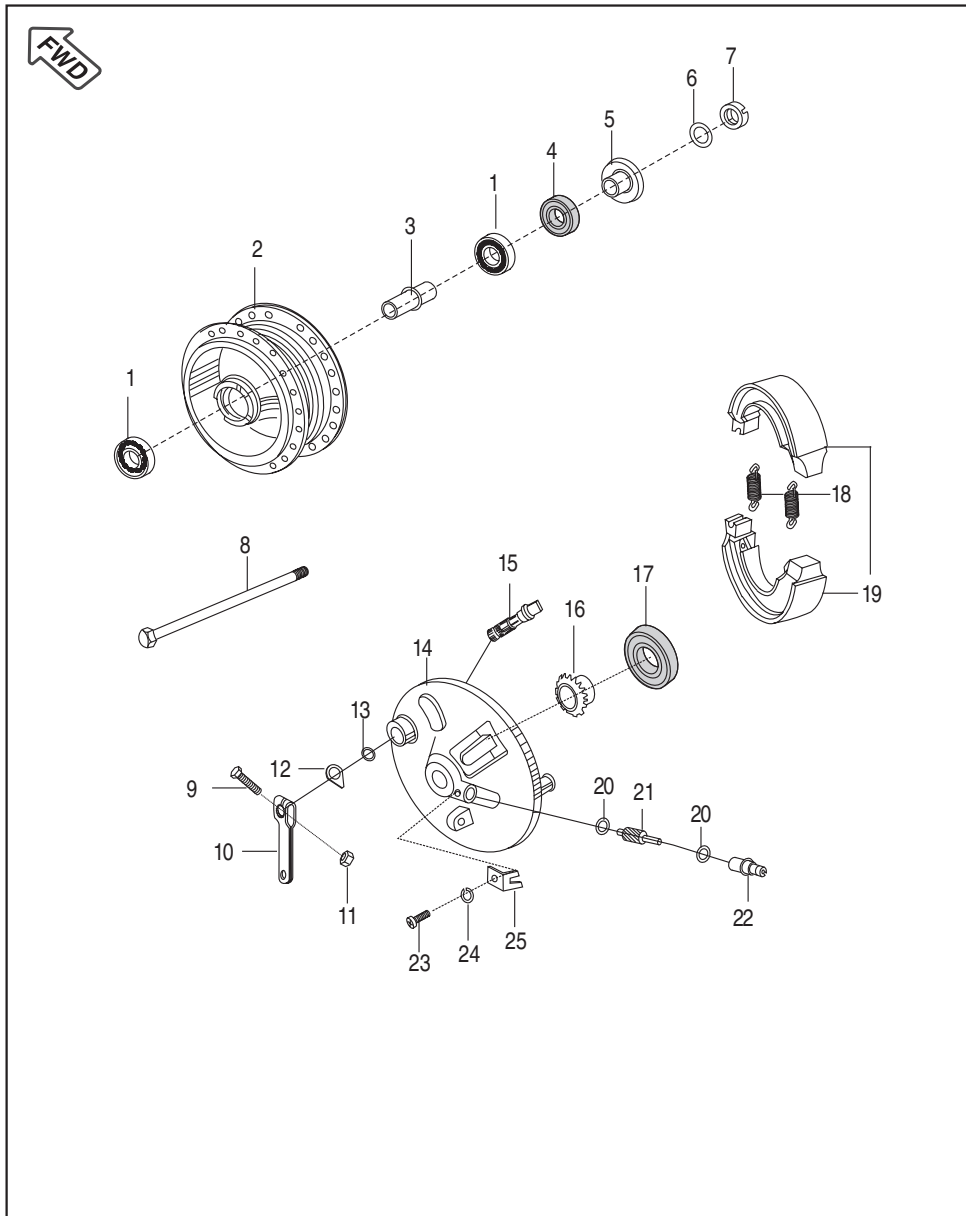
No.	Part No.	Description	Qty	Remarks
1	JA 1132 01	Shaft Stand	1	
2	PF 1132 02	Center Stand	1	
3	39 0797 08	Pin Cotter	1	
4	DH 1611 21	Spring Stand Center	1	
5	DG 1611 24	Damper Main Stand	1	
6	DF 1611 02	Bolt	1	
7	JA 1132 02	Stand Side	1	
8	39 0422 15	Nut Nyloc M10	1	
9	DH 1610 66	Spring Side Stand	1	

Tube / Tyre / Rim



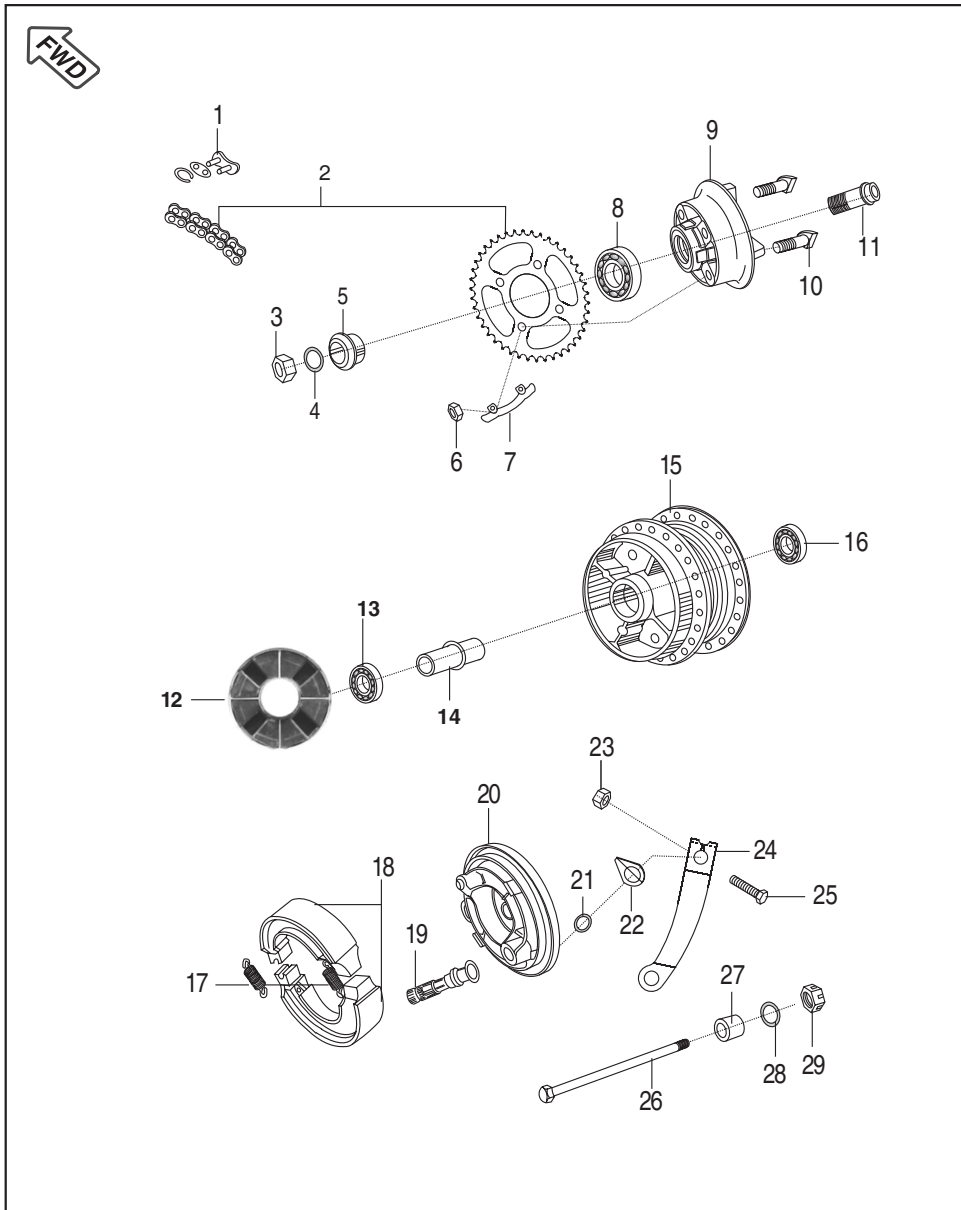
No.	Part No.	Description	Qty	Remarks
1	16 1510 66	Nipple Spoke	72	
2	DS 1510 04	Spoke Inner Front	18	
3	DS 1510 05	Spoke Outer Front	18	
4	DS 1510 03	Wheel Rim Front	1	1.6 X 17
5	DG 1510 22	Band Rim	2	
6	DS 1510 53	Tube Front 3 X 17	1	
7	PF 1310 02	Tyre Front 3 X 17 RIM	1	
8	DS 1510 34	Wheel Rim Rear 2.15 X 17	1	
9	DS 1510 29	Tube Rear 90 / 90-17	1	
10	PF 1312 11	Tyre Rear 100 x 90, 17, 55P	1	
11	DS 1510 09	Spoke Inner Rear	18	
12	DS 1510 10	Spoke Outer Rear	18	

Front Hub



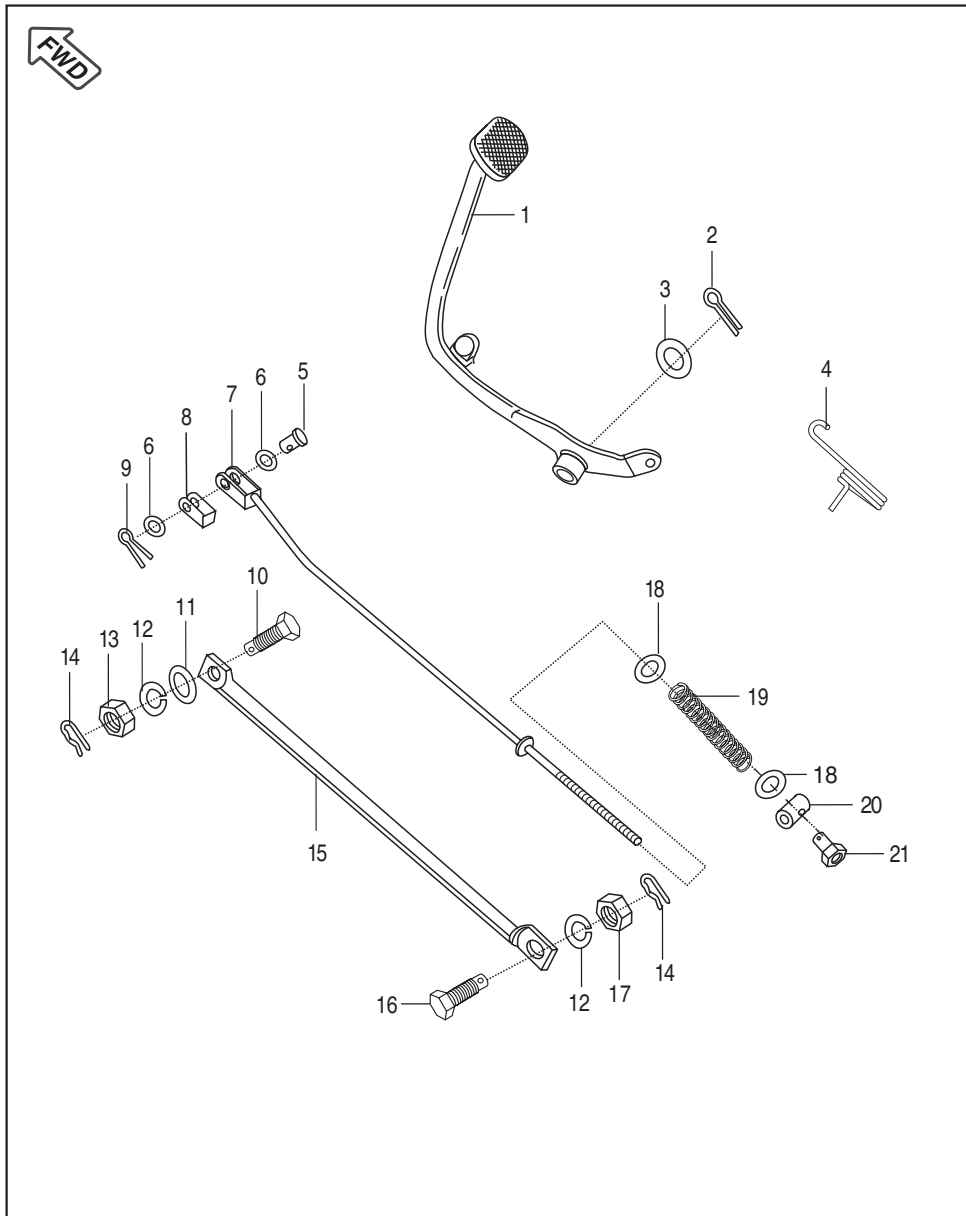
No.	Part No.	Description	Qty	Remarks
1	39 2688 20	Ball Bearing 12 x 37 x 12	2	
2	JA 1316 03	Drum Front	1	
3	30 1510 32	Collar Bearing	1	
4	30 1510 33	Oil Seal	1	
5	DS 1510 60	Spacer	1	
6	39 0781 11	Plain washer	1	
7	59 1500 03	U Nut M12	1	
8	DJ 1510 81	Axle Front	1	
9	39 0775 04	Bolt M6 X 30	1	
10	JA 1316 07	Lever Brake Front	1	
11	39 0798 15	Nut Hex. Flange M6	1	
12	DD 1510 09	Indicator Front	1	
13	30 1510 38	'O' Ring	1	
14	JA 1316 05	Panel Front Brake	1	
15	30 1510 04	Cam Brake	1	
16	30 1511 16	Gear Speedometer	1	
17	30 1510 35	Seal Oil	1	
18	30 1510 69	Spring	2	
19	30 1510 68	Shoe Brake	2	
20	30 1510 42	Washer for Speedo Gear	2	
21	30 1510 41	Gear Meter Screw	1	
22	JA 1316 06	Bush for Speedo Gear	1	
23	39 0840 01	Screw Pan Cross M4	1	For Speedo Cable
24	39 0900 12	Washer Spring	1	
25	30 1511 18	Stopper For Bushing	1	

Rear Hub



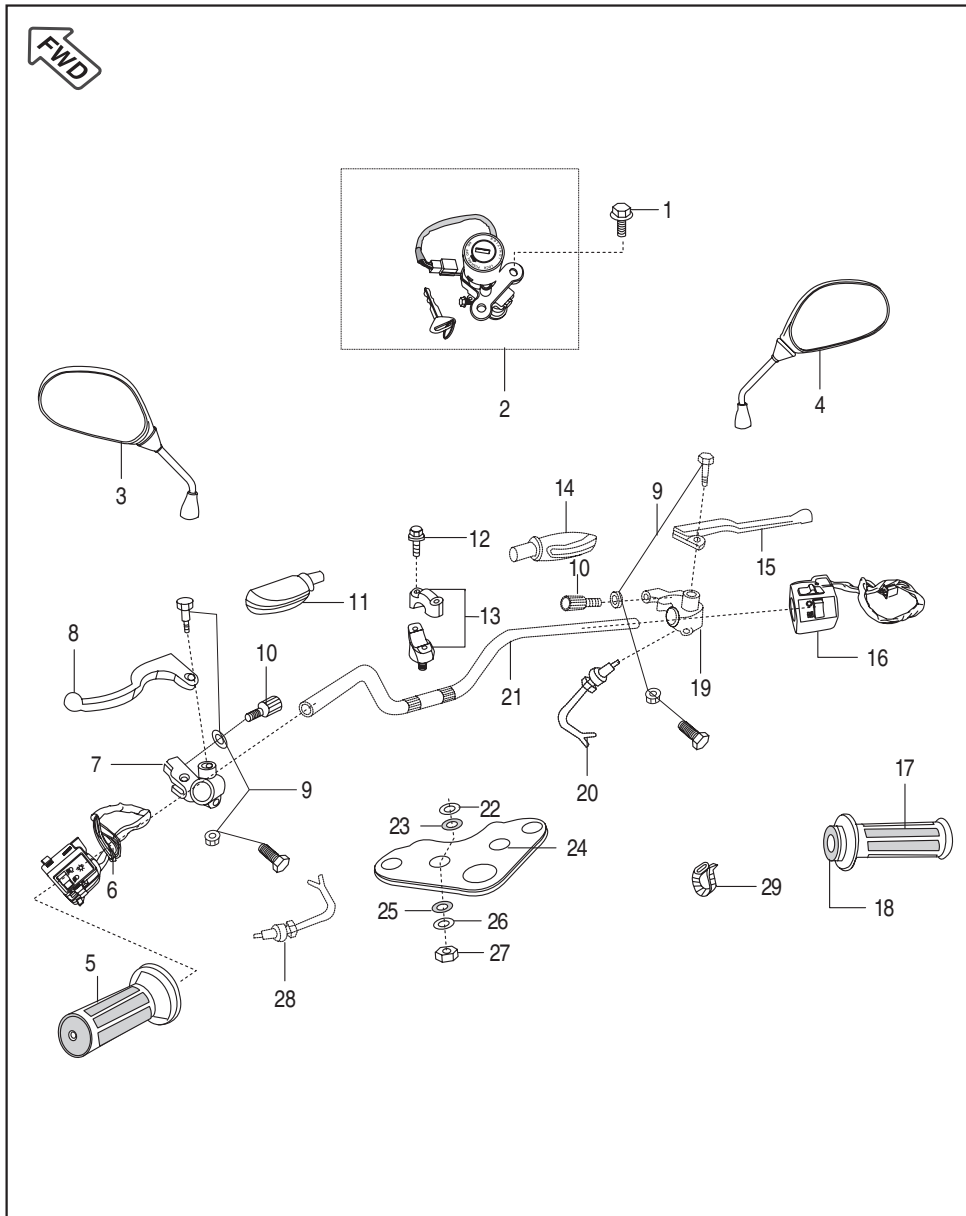
No.	Part No.	Description	Qty	Remarks
1	JN 1410 02	Drive Chain Lock	1	Refer Page No. 97
2	36 PF00 10	Kit Chain Sprocket	1	
3	39 0801 15	Nut Hex. M20 X 1	1	
4	39 2567 11	Washer Plain	1	
5	DS 1510 35	Collar Coupling Side	1	
6	39 0794 15	Hex Lock Nut	4	
7	DS 1510 74	Washer Four Rubber	2	
8	39 2240 20	Ball Bearing	1	
9	DS 1510 68	Coupling	1	
10	DS 1510 73	'D' Bolt	4	
11	DJ 1510 33	Sleeve Rear Axle	1	
12	DK 1510 94	Damper Shock	1	
13	39 2686 20	Bearing Sprocket Side	1	
14	30 1510 75	Collar Bearing	1	
15	DS 1510 67	Drum Rear 4 Rubber	1	
16	39 2687 20	Bearing Brake Side	1	
17	30 1510 69	Spring	2	
18	30 1510 68	Shoe Brake	2	
19	30 1510 12	Cam Brake Rear	1	
19A	39 0722 11	Washer	1	
20	DS 1510 69	Panel Rear Brake	1	
21	30 1510 38	Ring 'O'	1	
22	30 1510 05	Indicator Wear	1	
23	39 0798 15	Nut M6	1	
24	JW 1316 01	Lever Brake Rear	1	
25	39 2447 04	Hex. Head Bolt M6	1	
26	PF 1312 08	Axle Rear Wheel (Dia.15)	1	
27	PF 1312 04	Spacer Panel Side	1	
28	39 2566 11	Washer Plain	1	
29	DH 1710 19	Nut 'U' M14 Swing Arm	1	

Rear Brake Pedal



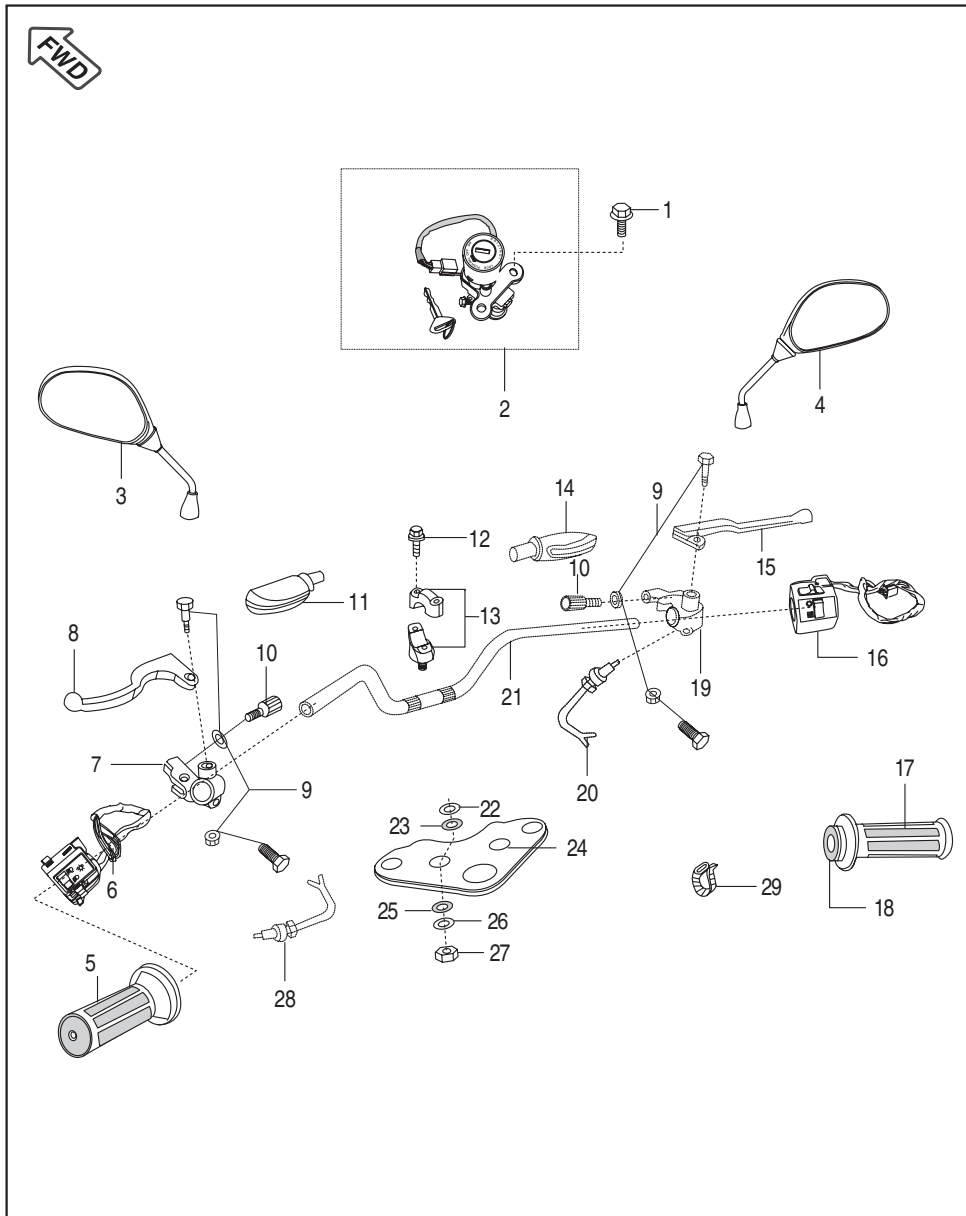
No.	Part No.	Description	Qty	Remarks
1	PF 1610 02	Brake Pedal	1	
2	39 0797 08	Pin Cotter	1	
3	39 0805 11	Plain Washer	1	
4	JV 1610 14	Brake Pedal Return Spring	1	
5	30 1910 38	Pin	1	
6	39 0198 11	Plain washer	2	
7	PF 1610 01	Rod brake	1	
8	DS 1910 35	Packing Brake rod	1	
9	39 0808 08	Split pin	1	
10	DH 1510 29	Step Bolt Torque Rod	1	
11	39 1540 11	Plain Washer	1	
12	39 0789 12	Spring Washer	2	
13	39 0694 15	Hex. Lock Nut M8 x 1.25	1	
14	39 0807 08	Split Pin	2	
15	JW 1220 04	Rod Torque	1	
16	30 1510 95	Bolt Hex.	1	
17	39 0708 15	Nut Hex. M10 X 1	1	
18	39 0198 11	Washer Plain	2	
19	30 1910 35	Spring	1	
20	JB 1610 02	Pin Brake Rod	1	
21	30 1910 36	Nut Brake Adjuster	1	

Handle Bar



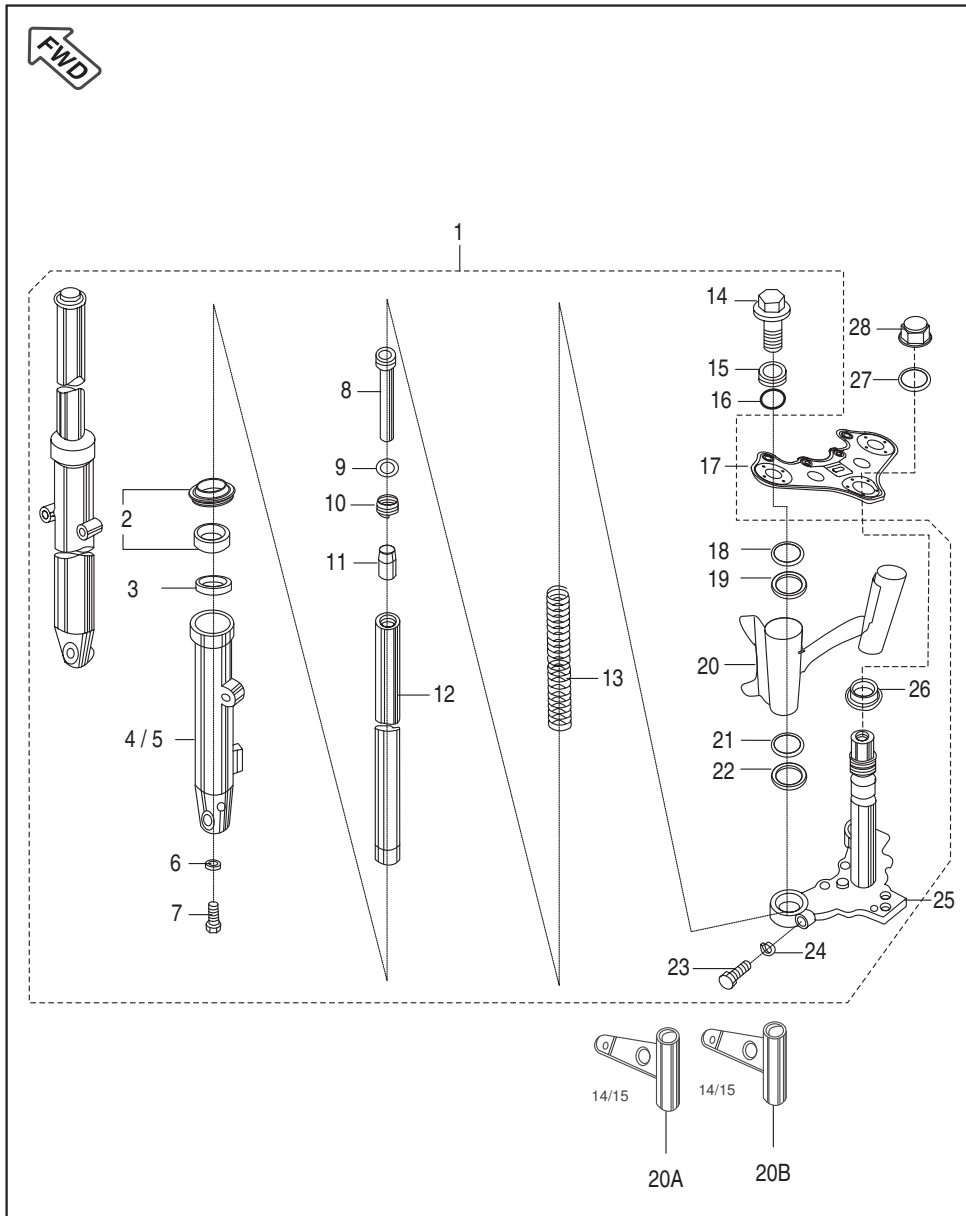
No.	Part No.	Description	Qty	Remarks
1	39 1943 04	Flange Bolt	2	For Ignition Switch
2	DS 1810 22	Switch Ignition Assly	1	
2A	PF 2326 01	3 in One Lock Set	1	
3	DJ 2210 03	Mirror Assly. LH	1	
4	DJ 2210 04	Mirror Assly. RH	1	
5	DU 1910 09	Grip LH	1	
6	JB 4014 00	Control Switch LH	1	
7	DJ 1910 54	Holder LH	1	
	JB 1610 08	Lever & Holder assly LH	1	
8	DJ 1910 55	Lever Control LH	1	
	DL 1910 13	Lever Grip Left	1	
9	36 DK00 37	Kit Mirror Holder	2	Refer Page No.98
10	DD 1911 47	Screw for Cable Adjuster	2	
11	DS 1910 52	Boot For Lever LH	1	
12	39 1074 04	Flanged Bolt	4	
13	36 DS18 01	Kit Holder Handle	2	
14	DS 1910 18	Boot For Lever RH	1	
15	DD 1911 42	Lever RH	1	
	DX 1910 09	Lever Assly RH	1	
16	PF 4014 08	Control Switch RH-ES	1	

Handle Bar



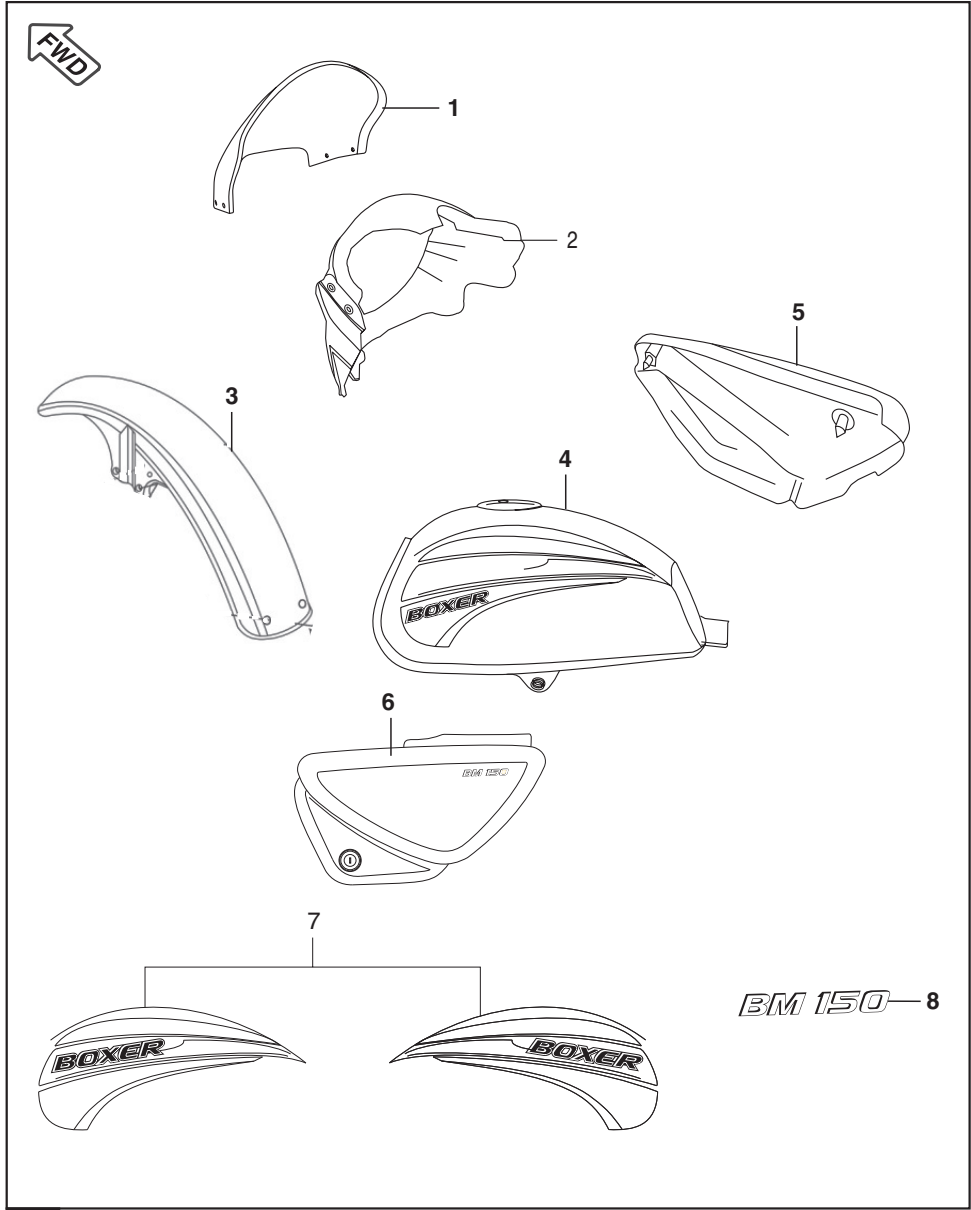
No.	Part No.	Description	Qty	Remarks
17	DU 1910 03	Hand Grip Assly RH	1	
18	DU 1910 04	Throttle Pipe	1	
19	DS 1910 33	Holder RH	1	
20	PF 4014 04	Brake Switch	1	
21	DU 1810 21	Handle Bar	1	
22	DS 1810 07	Washer Handle Upper	2	
23	DS 1810 08	Damper Handle Upper	2	
24	DS 1810 05	Holder Fork Upper	1	
25	DS 1810 09	Damper Handle Lower	2	
26	DS 1810 10	Washer Handle Lower	2	
27	39 2249 15	Nylock Nut	2	
28	JB 4014 09	Clutch Switch	1	
29	30 1910 48	Band	2	

Front Fork



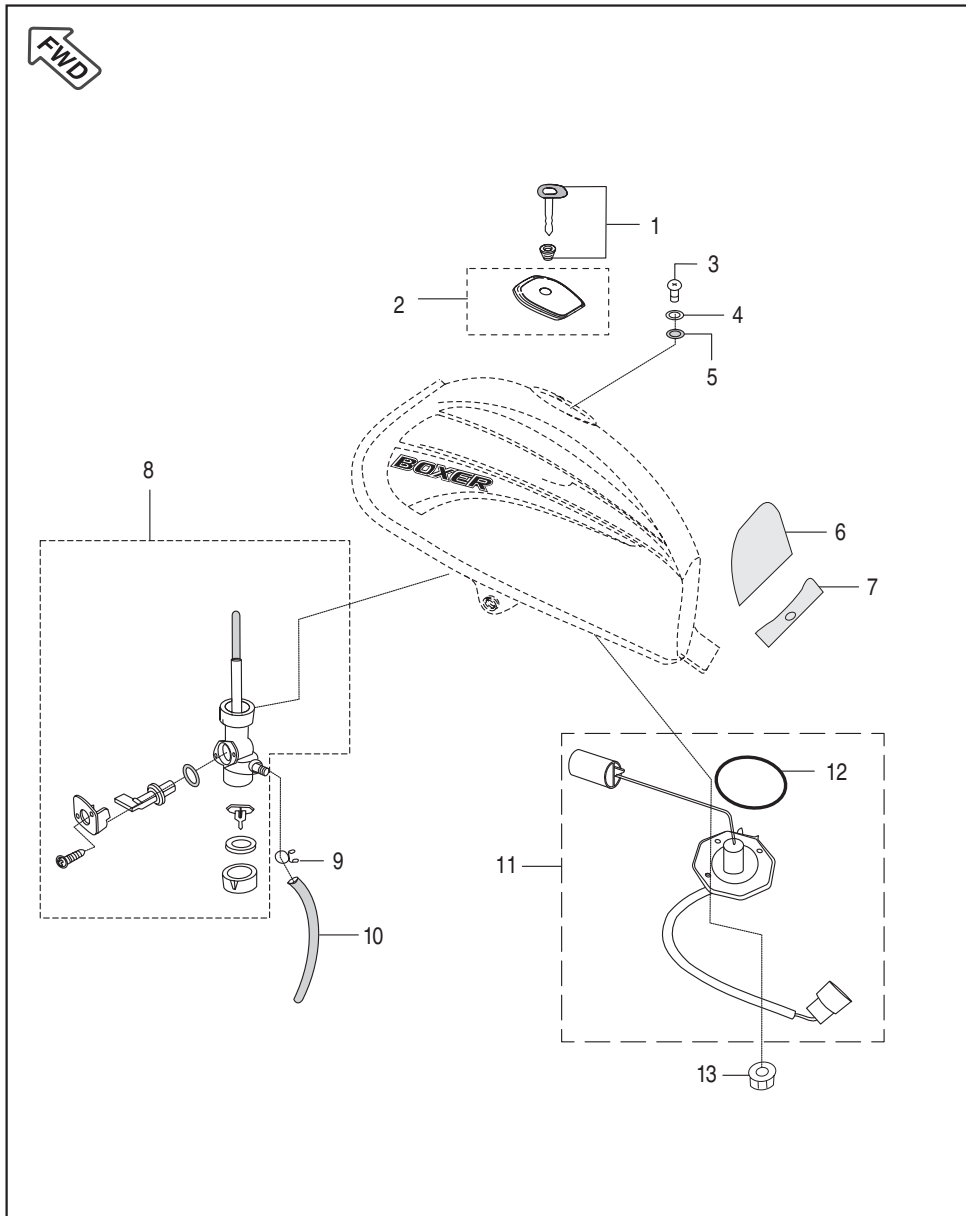
No.	Part No.	Description	Qty	Remarks
1	PF 1210 26	Fork Front	1	
2	36 DK00 20	Kit Outer Tube	2	Refer Page No. 97
3	DJ 1810 87	Seal Oil	2	
4	PF 1210 18	Pipe Left Fork Outer	1	
5	PF 1210 19	Pipe Right Fork Outer	1	
6	30 1810 26	Gasket	2	
7	30 1810 25	Bolt	2	
8	DE 1810 33	Cylinder Complete Fork	2	
9	DS 1810 72	Washer Guide Bush	2	
10	DM 1810 08	Rebound Spring	2	
11	DS 1810 70	Bush Guide	2	
12	PF 1210 17	Fork Pipe Inner	2	
13	DS 1810 84	Spring Front Fork	2	
14	59 0400 06	Bolt Fork	2	With Washer
15	DS 1810 12	Bolt Fork	2	
16	30 1810 29	'O' Ring	2	
17	DS 1810 05	Holder Fork upper	1	
18	PF 1210 28	Damper Cover Fork	2	
19	DJ 1810 51	Cover Trail A	2	
20	PF 1210 24	Lamp Shade Assly.	1	
20A	PF 1210 15	Cover Fork LH	1	
20B	PF 1210 16	Cover Fork RH	1	
21	DJ 1810 52	Cover Trail B	2	
22	DJ 1810 85	Cushion Rubber	2	
23	39 1813 04	Bolt	2	
24	JC 1810 20	Spring Washer	2	
25	PF 1210 20	Under Bracket Fork	1	Alt. Ds181020
26	DH 1810 23	Bearing Cone	1	
27	DS 1810 16	Plain Washer	1	For Cap Nut
28	DS 1810 15	Cap Nut Fork	1	

Painted Parts & Decals



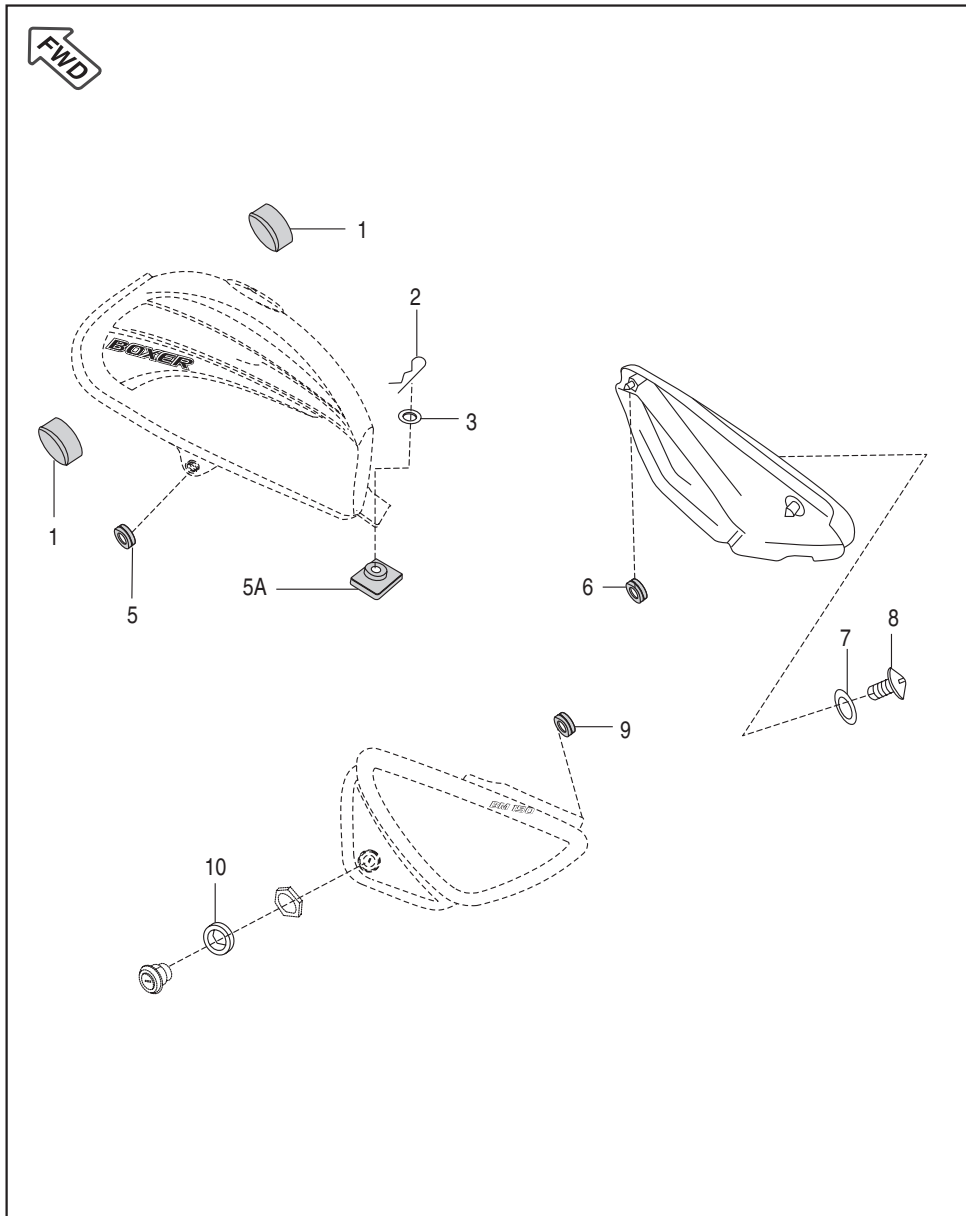
No.	Part No.	Description	Qty	Remarks
1	PF 1812 09	Wind Shield	1	
2	PF 7401 X3	Cowling Painted	1	Ebony Black
	PF 7401 3E	Cowling Painted	1	Electron Blue
	PF 7401 3F	Cowling Painted	1	Flame Red
3	PF 7201 X3	Front Fender Painted	1	Ebony Black
	PF 7201 3E	Front Fender Painted	1	Elect Blue
	PF 7201 3F	Front Fender Painted	1	Flame Red
4	PF 7101 X3	P.Tank Ebony Black Decal	1	Black Decal
	PF 7101 3E	P.Tank Elctron Blue Decal	1	Blue Decal
	PF 7101 3F	P.Tank Flame Red Decal	1	Red Decal
5	PF 7302 X3	Side Cover RH	1	Ebony Black Decal
	PF 7302 3E	Side Cover RH	1	Electron Blue Decal
	PF 7302 3F	Side Cover RH	1	Flame Red Decal
6	PF 7301 X3	Side Cover LH	1	Ebony Black Decal
	PF 7301 3E	Side Cover LH	1	Electron Blue Decal
	PF 7301 3F	Side Cover LH	1	Flame Red Decal
7	36 PF00 15	Kit Tank Dcl Red	1	
	36 PF00 16	Kit Tank Dcl Blue	1	
	36 PF00 17	Kit Tank Dcl Black	1	
8	36 PF00 18	Kit Dcl Side Cover Red BM150	1	
	36 PF00 19	Kit Dcl Side Cover Blue BM150	1	
	36 PF00 20	Kit Dcl Side Cover Black BM150	1	

Petrol Tank, Cap Tank & Gauge Fuel



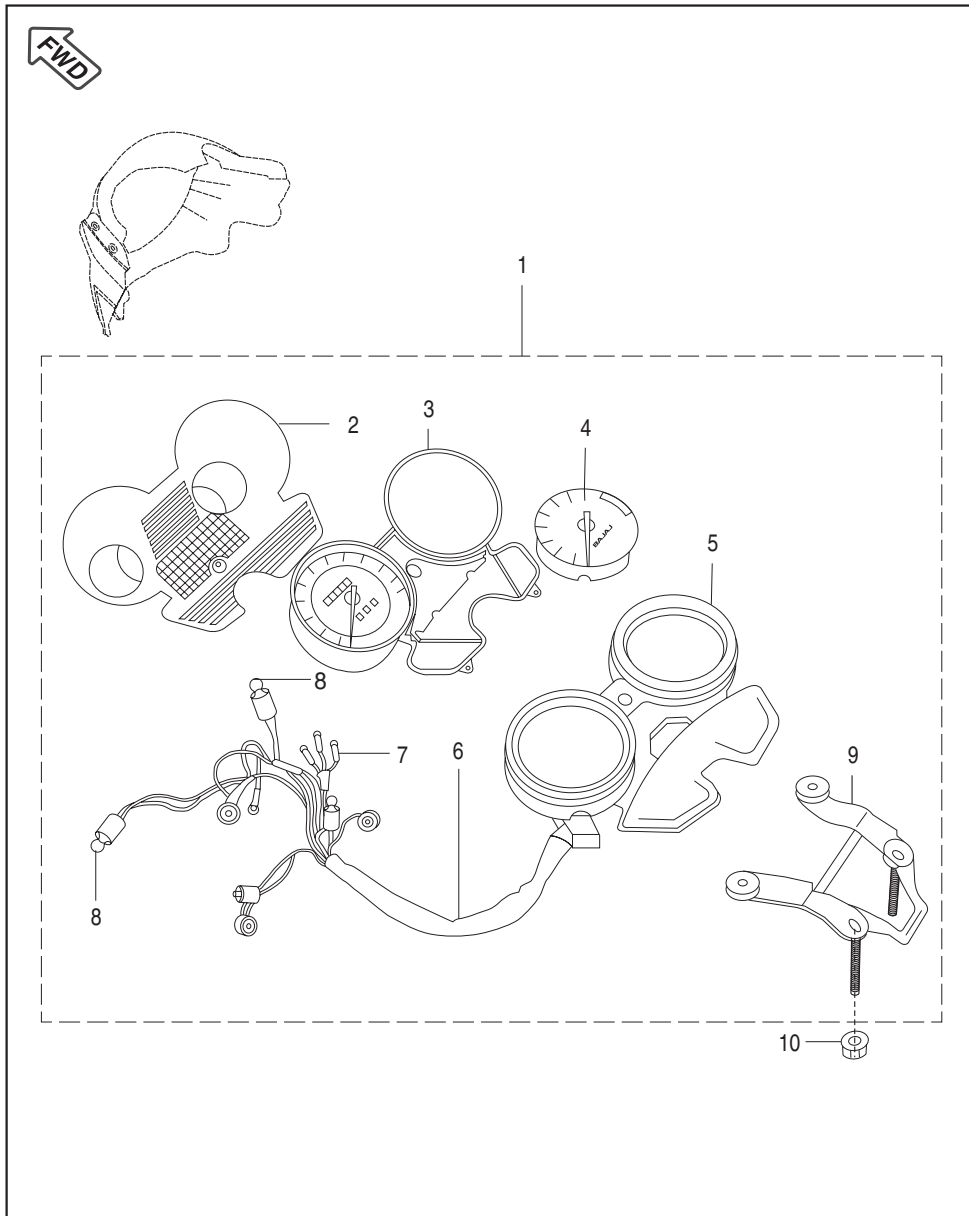
No.	Part No.	Description	Qty	Remarks
1	PF 2326 01	3 In 1 Lock Set	1	
2	DS 1410 09	Cap Assly. Tank	1	
3	39 0761 01	Screw Pan Cross	2	
4	39 2179 24	Washer	2	
5	30 1410 31	'O' Ring	2	
6	PF 1710 05	Seat Lab Front	1	
7	PF 1710 06	Seat Lab Down	1	
8	PF 1718 02	Fuel Tap	1	
9	DK 1410 41	Pipe Clip	2	
10	PF 1718 03	Pipe Fuel	1	Cock to Carburettor
11	PF 4026 00	Sensor Fuel Level	1	With 'O' Ring
12	39 2758 21	'O' Ring	1	For Tank Unit
13	39 2484 15	Flanged Nut	4	

Fittings - Petrol Tank, Side Covers



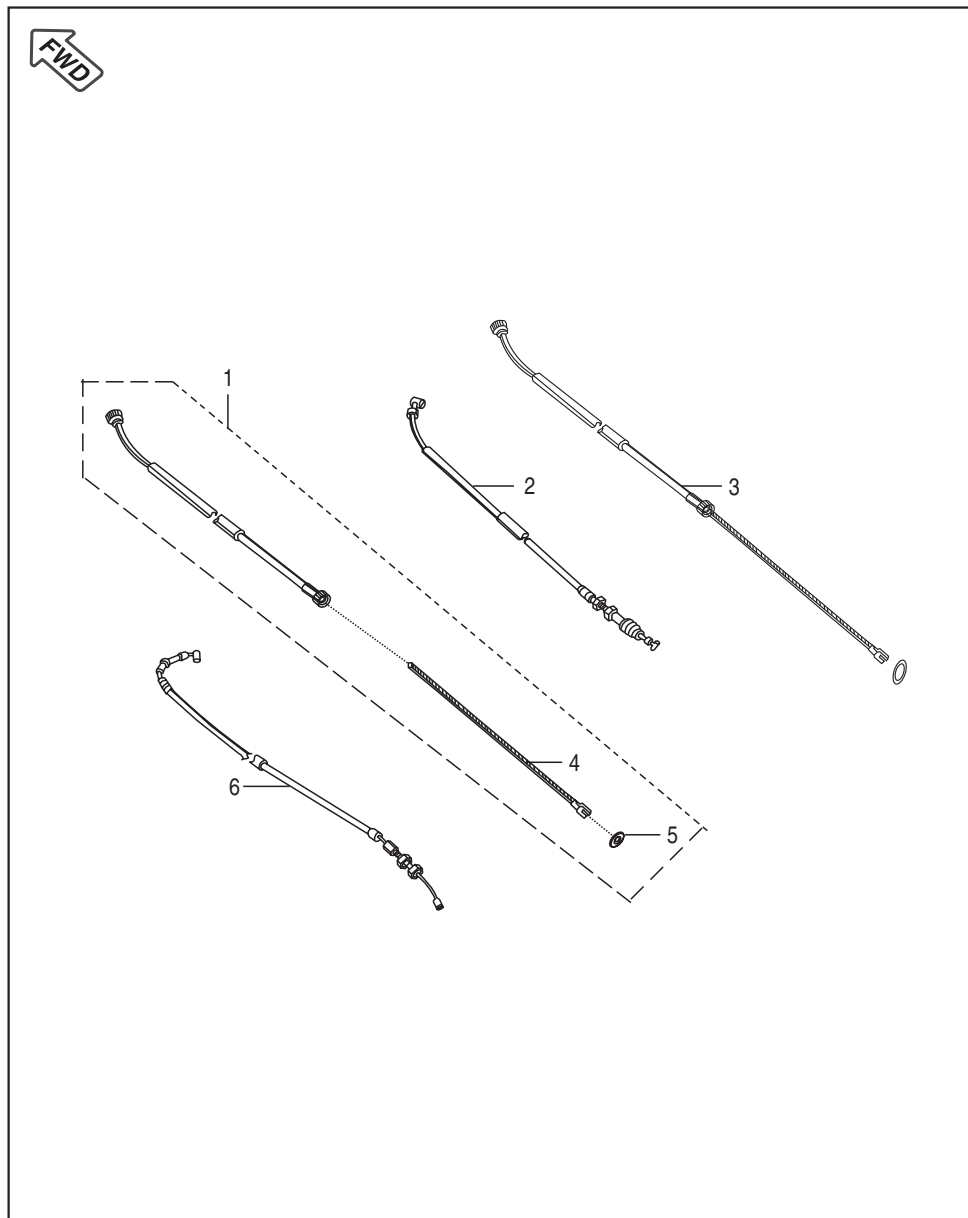
No.	Part No.	Description	Qty	Remarks
1	DJ 1410 08	Damper Front	2	For Tank Mounting
2	39 0983 08	Pin Snap	1	
3	39 1054 11	Plain Washer	1	
4	36 DS14 01	Grommet Kit for Side Cover	1	
5	DS 1410 12	Grommet Side Cover Front	2	
5A	JV 1710 01	Damper Tank Rear	1	For Tank
6	30 1611 69	Grommet Side Cover	1	For Side Cover RH
7	39 1789 24	Washer Nylon	1	
8	DG 1611 21	Screw	1	
9	DH 1611 33	Grommet Side Cover	1	For Side Cover LH
10	DU 1611 02	Damper	1	

Meter Assembly



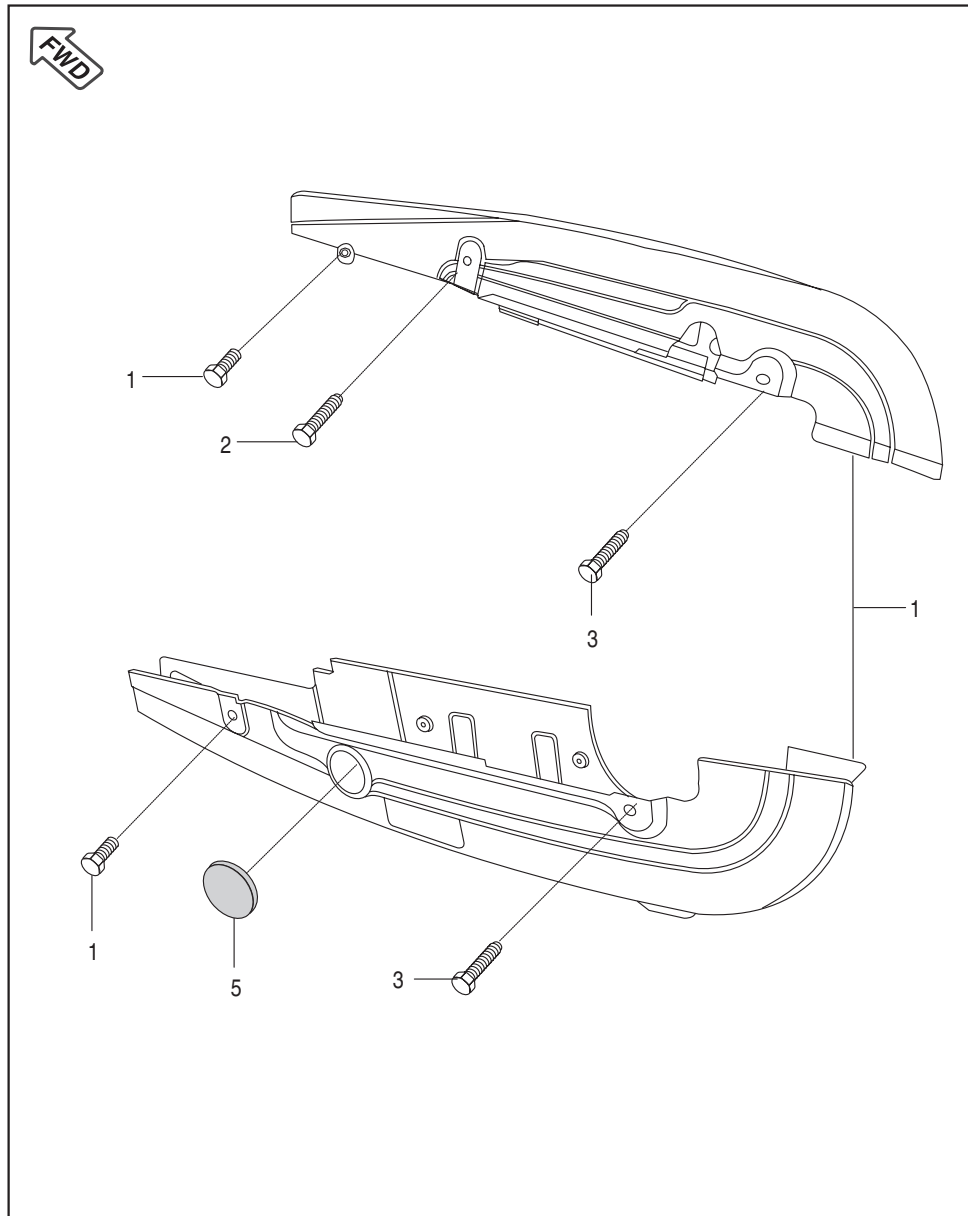
No.	Part No.	Description	Qty	Remarks
1	PF 4024 00	Speedometer Assly.	1	
2	PF 4024 06	Speedo meter Bottom Cover	1	
3	PF 4024 01	Speedometer Machine With Dial	1	
4	PF 4024 05	Fuel Gauge Machine with dial	1	
5	PF 4024 02	Speedo meter Top Cover	1	
6	PF 4024 03	Speedometer wiring harness	1	
7	DH 2010 43	Bulb 12V - 1.7 W	4	
8	DL 1910 20	Bulb 12V - 3 W	3	
9	PF 4024 04	Speedometer Bracket	1	
10	39 0798 15	Flanged Nut	2	

Control Cables



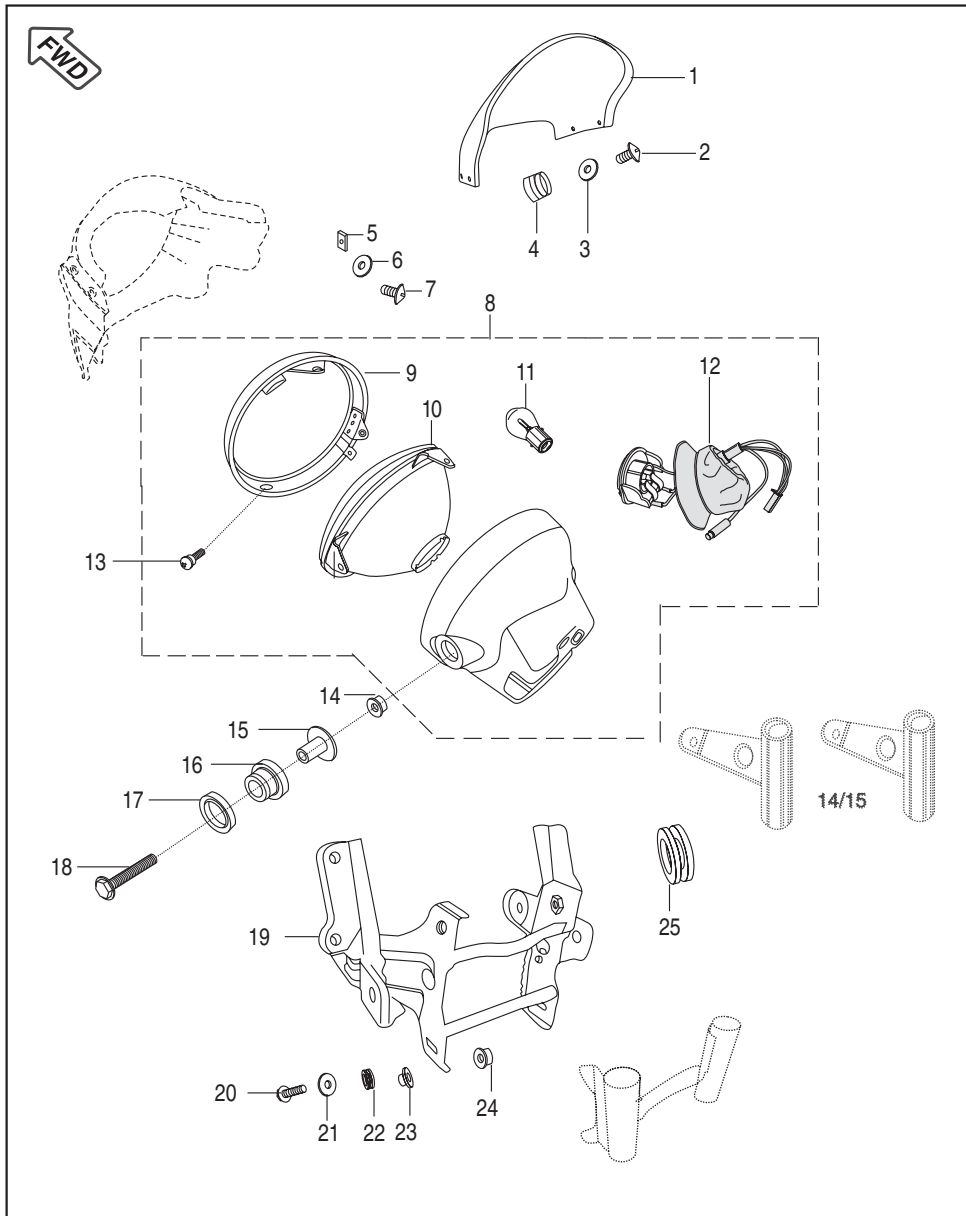
No.	Part No.	Description	Qty	Remarks
1	PF 1612 08	Cable Speedometer	1	
2	PF 1612 13	Cable front Brake	1	
3	PF 1612 11	Cable Accelerator	1	
4	PF 1612 09	Cable Speedometer Inner	1	
5	39 1561 21	'O' Ring	1	
6	PF 1612 12	Cable Clutch	1	

Chain Case



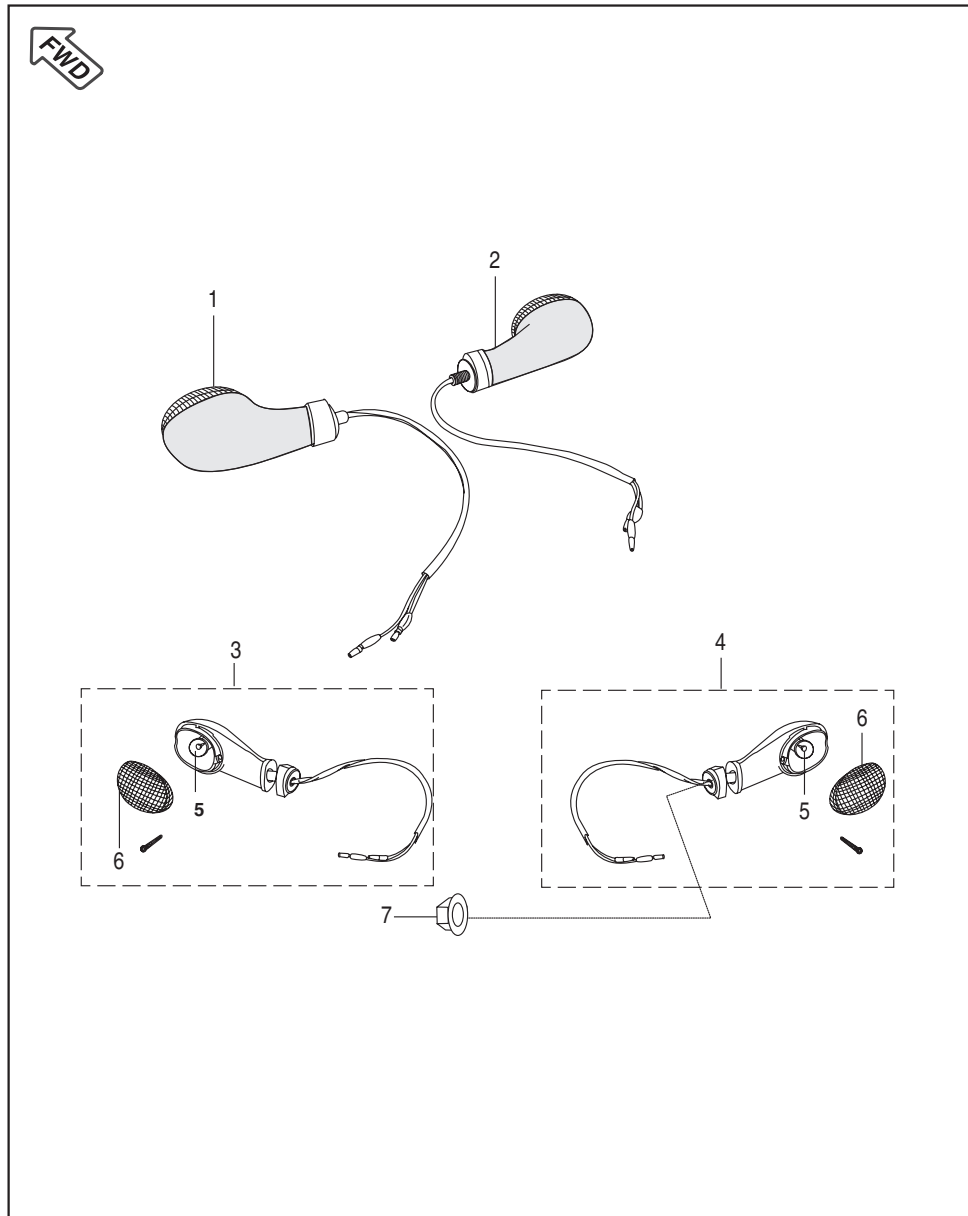
No.	Part No.	Description	Qty	Remarks
1	JB 1812 39	Bolt M6	2	Refer Page No. 97
2	JB 1812 21	Flange Bolt M6 X 1P X 50 L	1	
3	JB 1812 20	Flange Bolt M6 X 1P X 62 L	2	
4	36 PF00 11	Kit Chain Case	1	
5	15 1610 69	Rubber Cap	1	

Head Lamp & Fairing



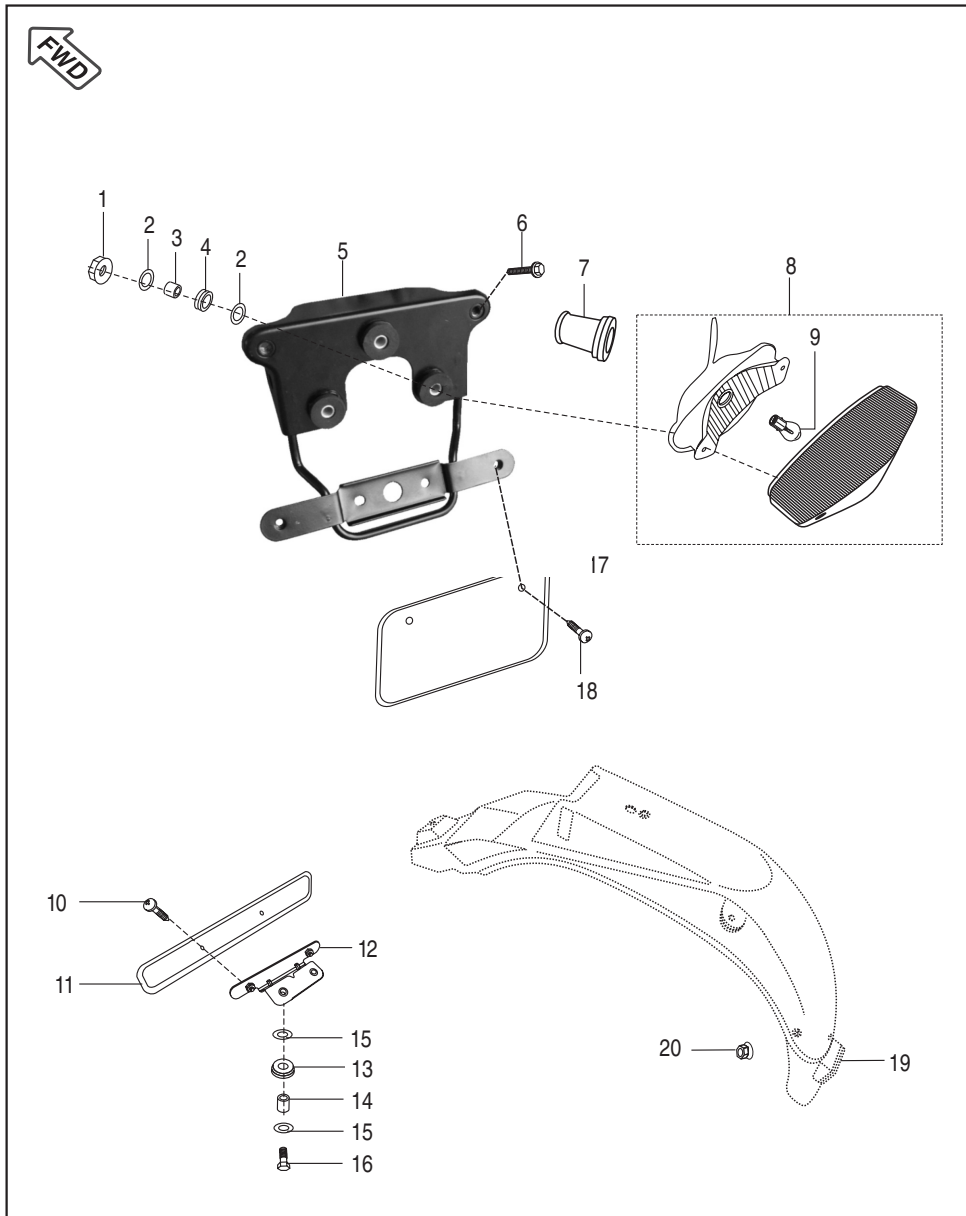
No.	Part No.	Description	Qty	Remarks
1	PF 1812 09	Windshield	1	
2	DL 1810 09	Screw - M5 X L 16	4	
3	39 2141 24	Washer (Non Metallic Washer)	4	
4	DL 1810 10	Nut-well M5	4	
5	35 1610 60	Nut - Clip	4	
6	39 1765 11	Washer - Plain	4	
7	39 2238 01	Screw - Pan Head	4	
8	PF 4010 00	Head light assly	1	
	PF 4010 07	Head light assly Without Bulb	1	
9	DJ 2010 46	Head Light Rim	1	
10	DJ 2010 51	Reflector with Lens	1	
11	CL 2010 23	Lamp 12 V 35/35 W HS1	1	
12	DF 2010 58	Lamp Holder (Socket) Assly.	1	
13	DU 2010 29	Special Screw	2	
14	39 1970 15	Flange Nut M-8	2	
15	DS 2010 19	Collar	2	
16	DS 2010 21	Damper II	2	
17	DS 2010 20	Damper I	2	
18	39 2582 04	Flange Bolt M-8 L 35	2	
19	PF 1210 25	Fairing Structure	1	
20	JW 1812 32	Bolt Flange M6	4	
21	JW 1812 29	Plain Washer	6	
22	JB 1510 12	Grommet Fairing Mounting	4	
23	JB 1510 13	Sleeve Fairing Mounting	4	
24	39 0798 15	Hex Nut	2	
25	PF 1812 11	Grommet - Cowling Mtg	2	

Indicator Light Assembly



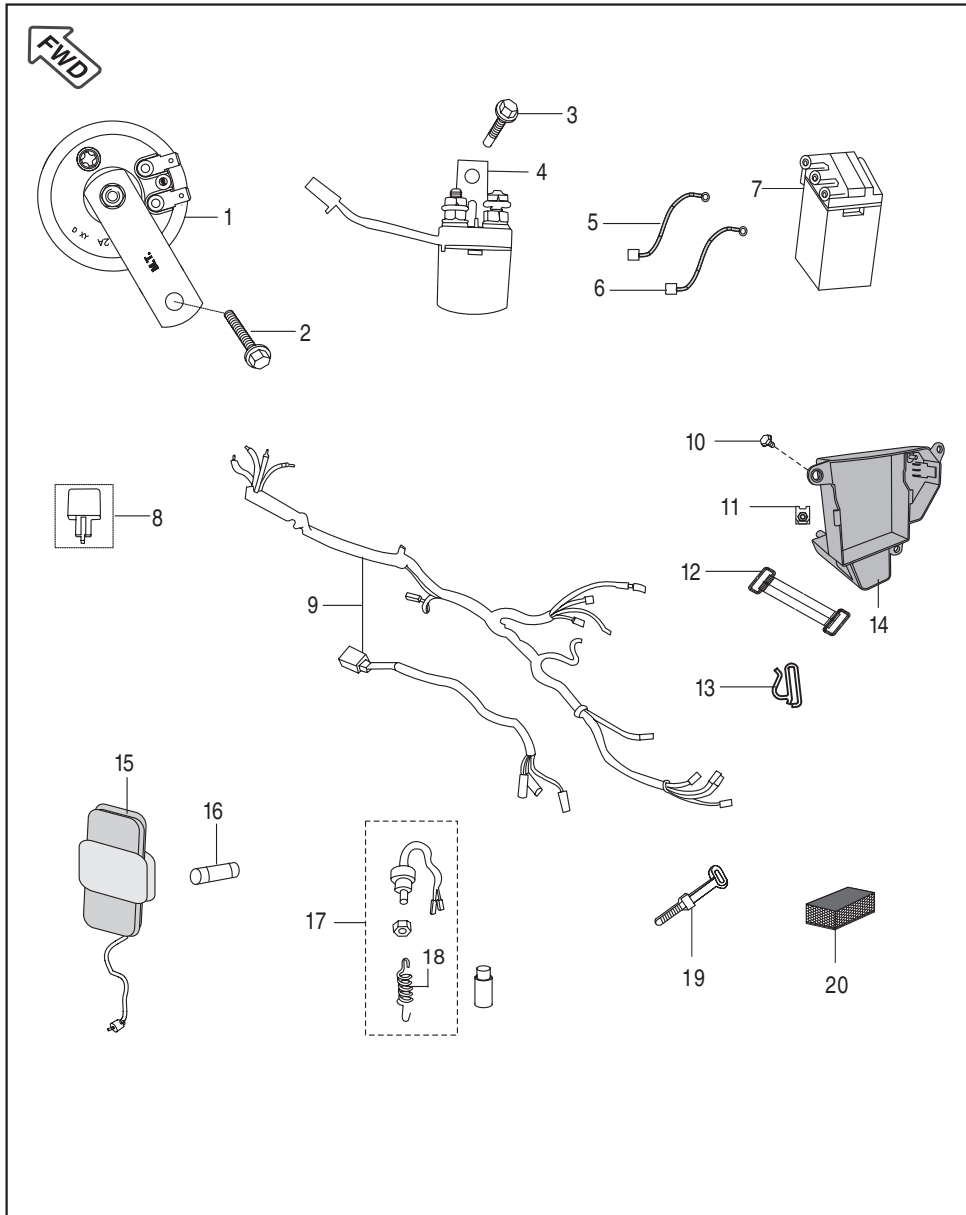
No.	Part No.	Description	Qty	Remarks
1	DU 2010 08	Dir. ind. Front LH with Lamp	1	With Lamp base
2	DU 2010 10	Dir. ind. Front RH with Lamp	1	With Lamp base
3	DU 2010 12	Dir. ind. Rear LH with Lamp	1	With Lamp base
4	DU 2010 14	Dir. ind. Rear RH with Lamp	1	
5	06 2010 83	Lamp 12 V - 10W	4	
6	DU 2010 16	Lens	4	
7	39 1225 15	Hex. Nut Flange	4	

Tail Lamp Assly / Front Number Plate



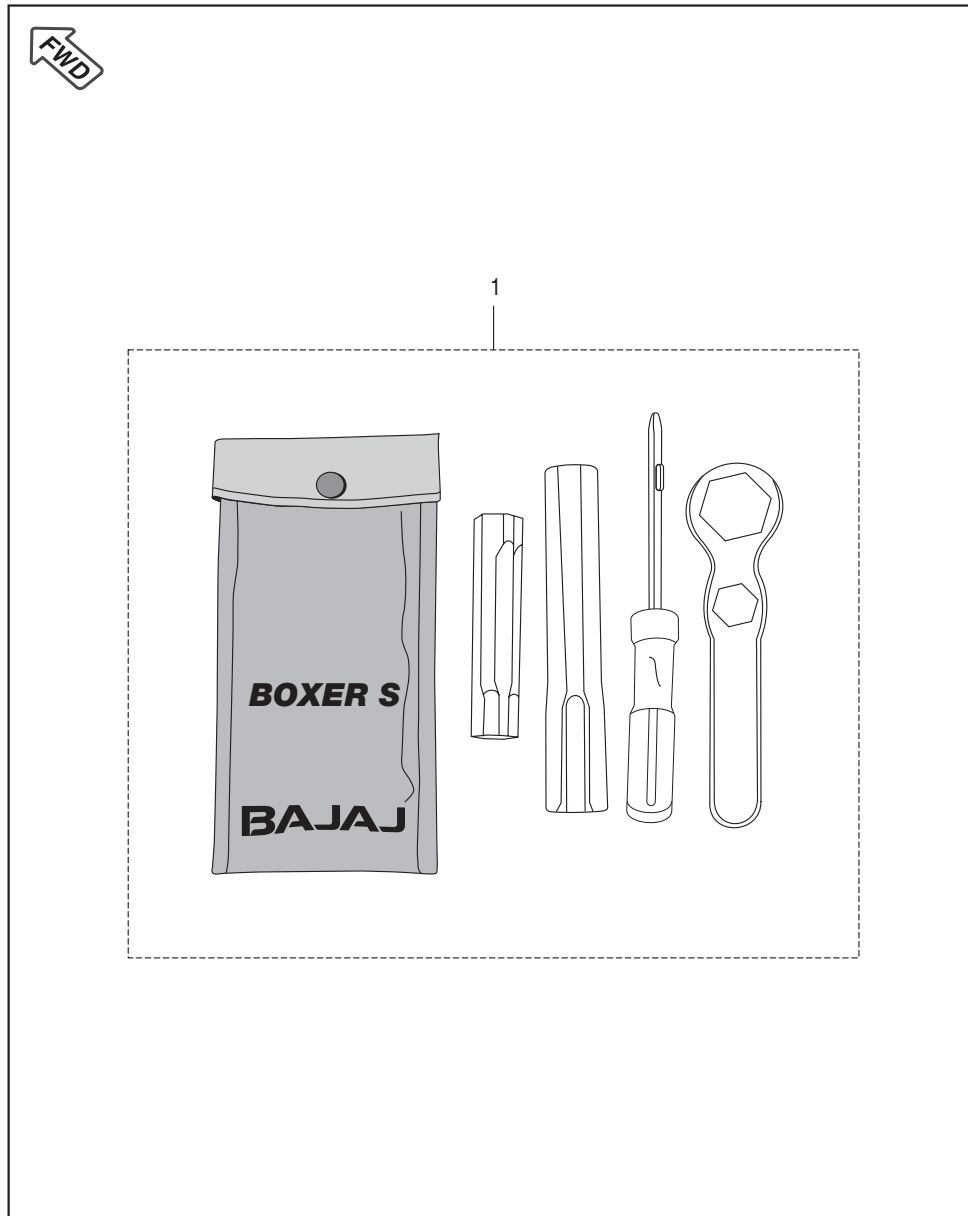
No.	Part No.	Description	Qty	Remarks
1	39 2430 15	Hex Nut. / Flange	2	
2	39 2429 11	Plain Washer	4	
3	31 2010 01	Collar	2	
4	DD 2010 11	Damper	2	
5	PF 2314 01	Bracket Tail Light Assly	1	
6	39 1956 04	Bolt Flange Small	2	
7	DM 2010 26	Boot	1	
8	DF 2011 38	Tail Light Assly. with lamp	1	
9	31 2010 28	Lamp 12 V, 10/5W	1	
10	39 1783 01	Truss Screw Front No. Plate	2	
11	DP 1611 44	Number Plate Front	1	
12	DD 1811 76	Front No. Plate Mtg Bracket	1	
13	30 1810 60	Damper	2	
14	30 1810 61	Collar	2	
15	39 1211 11	Washer	4	
16	39 1553 04	Bolt Flange	2	
17	DP 1611 45	Plate No. Rear	1	
18	39 2765 01	Screw Truss M6	2	
19	30 2010 69	Reflector Reflex	1	
20	39 1972 15	Nut Hexagon with Flange M5	1	

Electrical Equipments



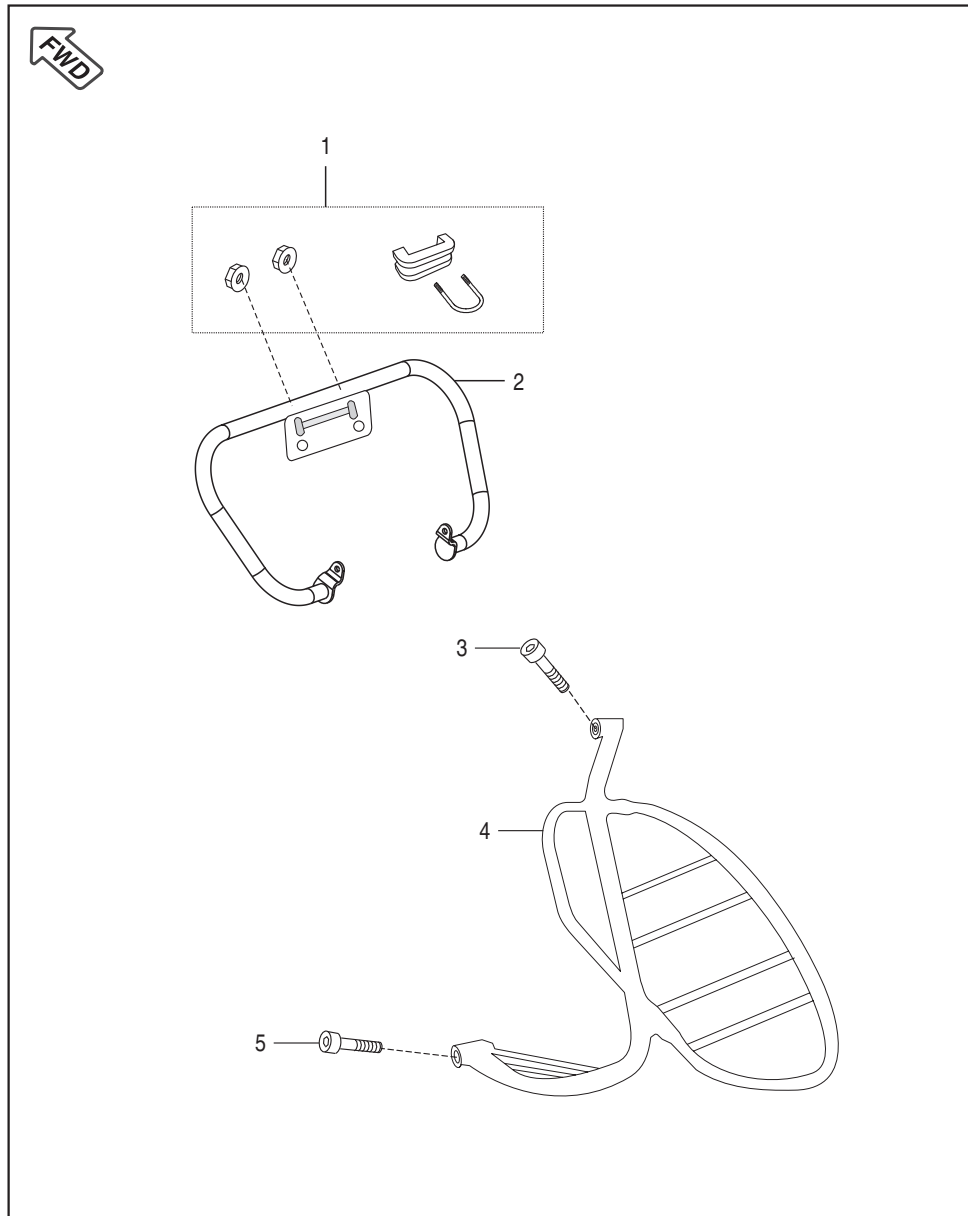
No.	Part No.	Description	Qty	Remarks
1	JV 4016 02	DC Horn	1	Alternate - Jv401600
2	39 1689 04	Flange Bolt (M8)	1	Horn mounting
3	39 1942 04	Bolt Flanged	1	St. Relay mounting
4	JK 3516 00	Starter Relay	1	With Grommet
5	JV 4022 05	Cable Assly. (Battery to Earth)	1	
6	JV 4022 04	Starter Relay to Motor Relay	1	
7	DS 2010 81	Battery 5 Ah MF dry Charged	1	N.S.
8	DS 2010 25	Assly DC Flasher	1	
9	PF 4022 00	Wiring Harness ES	1	
10	DS 1612 24	Step Bolt	3	
11	DJ 1810 65	Clip Nut M6	1	Side cover mounting
12	JA 4018 01	Band Battery ES	1	
13	PF 4018 01	Clamp Battery Cable	1	
14	JV 4018 01	Case Battery	1	
15	30 2011 04	Fuse Box Assly	1	For Light Main Fuse
16	GF 2010 53	Fuse (10 Amp.)	2	Light & Main Fuse
17	PF 4014 04	Rear Brake Switch	1	
18	PF 4014 03	Spring Brake Switch	1	
19	DK 2010 49	Clamp Harness	1	
20	PF 4018 02	Damper Battery	--	

Tool Kit



No.	Part No.	Description	Qty	Remarks
1	DM 2210 13	Tool Kit	1	For Reference Only
	DJ 2010 14	Screw Driven	1	
	DZ 2210 10	Tool Wrench A/F 17 X 22	1	
	DF 2210 48	Spanner Box- 16 X 14	1	
	DF 2210 49	Tool Bar	1	
	DM 2210 12	Tool Bag	1	
	22 2210 16	Bag Polythene	1	

Accessories



No.	Part No.	Description	Qty	Remarks
1	36 JW00 13	Kit Hardware for Leg	1	Refer Page No. 97
2	PF 2312 01	Leg Guard	1	
3	39 1298 04	Bolt Socket M8 X 1.25	1	
4	PF 231 200	Sari Guard	1	
5	JB 2312 06	Bolt Socket M10	1	

Kit List



Sr No	Kit Part No.	Kit Description	Consisting of Following Parts		
			Part No.	Description	Qty/Kit
1	36JZ0001	Valve Kit	JZ511200	Valve Intake	1
			JZ511201	Valve Exhaust	1
2	36JZ0004	Valve Repair Kit	39201719	Seat Valve Stem	2
			DG101029	Cotter Valve	2
			JA511203	Retainer Valve Spring	2
			28101129	Seat Valve Spring	2
			JZ511202	Spring Washer	2
3	36JE0003	Kit Guide Cam Chain	JW541012	Guide Cam Chain (Slack Side)	1
			JA521002	Guide Cam Chain (Tight Side)	1
4	36JZ0005	Piston Ring Set	JZ521204	Ring Piston Top	1
			JZ521205	Ring Piston Second	1
			JZ521206	Ring Piston Oil	1
5	36DU1007	Boss Kick Set	30101233	Boss Kit	1
			30101234	Spring	1
			30101236	Ball Steel	1
			30101235	Pin	1
			39085517	E - Type Clip	1
6	36PF0021	Kit Jet BM 150	JZ581234	Needle Jet	1
			JZ581219	Holder Needle Jet	1
			JZ581218	Jet Main	1
			JE581205	Jet Pilot	1
7	DH121169	Pilot Screw Kit	DH121131	Screw Adjuster	1
			DH121130	'O' - Ring	1
			DH121186	Spring Compr Coil	1
			DH121187	Plain Washer	1
			DH121188	'O' - Ring	1

Kit List



Sr No	Kit Part No.	Kit Description	Consisting of Following Parts		
			Part No.	Description	Qty/Kit
8	36JZ0016	Idling Screw Kit	JZ581217	Screw Stop	1
			DH121130	'O' - Ring	1
			CB121044	Spring Compression	
9	36PF0022	Kit Piston Valve BM 150	PF581206	Valve Piston	1
			DD121054	E-Ring	1
			JZ581211	Holder Assly Magnet	1
			DD121055	Spring Compression	1
			JZ581223	Packing	1
			PF581208	Jet Needle	1
			PF581207	Ring	1
10	36PF0024	Kit Carburetor Gasket/O Ring	JA581232	Gasket Float Chamber	1
			DH121130	'O' - Ring Idling Screw	2
			DH121088	O Ring Air Screw	2
			DH121118	'O' Ring Drain screw	1
			JA581238	'O' Ring TPS	1
11	36PF0023	Kit Choke Plunger BM 150	-	Plunger Assembly	1
			-	Guide Holder	1
			PF581205	Lever Assembly Choke	1
			DH121071	Cap	1
			Dd121058	Spring Choke Plunger	1
			CF121004	O Ring Choke Plunger	1
12	36314001	Bearing Cone Kit	DH181025	Bearing cone	1
			DH181026	Bearing race	1
			DH181024	Upper bearing race	1
13	36DS1801	Holder Handle Set	DS181019	Holder Handle	2
			DS181006	Holder Handle	2

Kit List



Sr No	Kit Part No.	Kit Description	Consisting of Following Parts		
			Part No.	Description	Qty/Kit
14	36PF0010	Kit Chain Sprocket BM 150	DX151023	Sprocket Hub (42T)	1
			JZ551004	Sprocket Drive (14T)	1
			JV141004	Chain 122 Link	1
15	36JZ0003	Set Primary Drive & Driven	JZ551403	Housing Complete Clutch HTTS	1
			JZ531006	Gear Primary Drive	1
16	36JZ0008	Starter Clutch Repair Kit	JA621411	Bush Spring Starter Clutch	5
			DH101163	Roller Clutch	5
			DH101164	Spring	5
			DJ101109	Bush For Spring Starter Clutch	5
17	36PF0009	Kit Friction Plate BM 150	JV551402	Plate Friction Clutch	5
18	36PF0002	Kit Block-Piston BM 150	PF521007	Assly Cylinder Block	1
			PF521205	Piston Assly	1
19	36JW0013	Leg Gaurd Hardware Kit	JA231201	Hook Leg Gaurd1	1
			JA231202	Leg Gaurd Spacer	1
			39079815	Nut Hexagon with Flange	2
20	36PF0011	Case Chain Kit	PF181202	Case Chain Upper Assly.	1
			Pf181200	Case Chain Lower Assly.	1
21	36DK0020	Kit Outer Tube	DJ181089	Seal Dust	2
			DJ181088	Stopper Seal Oil	2
			DS181072	Washer Guide Bush	2
			DS181070	Guide Bush	2

Kit List



Sr No	Kit Part No.	Kit Description	Consisting of Following Parts		
			Part No.	Description	Qty/Kit
22	36DK0037	Kit Mirror Holder	39118415	Nut - Nylock :- M5 X 0.8	1
			DI191014	Stud - Lever Handle	1
			30191017	Nut	1
			39019811	Washer - Plain	1
			39072504	Bolt - Hexagon :- M6 X 1	1



AMENDMENT SHEET (PARTS ADDED)					
SR. NO.	PART NUMBER	DESCRIPTION	QTY.	PAGE NO.	FIGURE NO.



AMENDMENT SHEET (PARTS DELETED)					
SR. NO.	PART NUMBER	DESCRIPTION	QTY.	PAGE NO.	FIGURE NO.

Parts Index



Part Number	Figure No.	Page No.	Part Number	Figure No.	Page No.
06 2010 83	5	86	30 1510 69	17	62
14 1510 33	23	24	30 1510 75	14	62
14 1510 33	15	28	30 1510 95	16	64
15 1610 69	5	82	30 1511 16	16	60
16 1510 66	1	58	30 1511 18	25	60
22 1502 41	4	30	30 1611 19	6	76
24 1210 69	13	32	30 1710 22	10	52
24 1213 65	9	32	30 1810 25	7	70
30 1011 42	4	24	30 1810 26	6	70
30 1011 95	6	26	30 1810 29	16	70
30 1410 31	5	74	30 1810 60	13	88
30 1510 04	15	60	30 1810 61	14	88
30 1510 05	22	62	30 1910 35	19	64
30 1510 12	19	62	30 1910 36	21	64
30 1510 32	3	60	30 1910 38	5	64
30 1510 33	4	60	30 1910 48	29	68
30 1510 35	17	60	30 2010 69	19	88
30 1510 38	13	60	30 2011 04	15	90
30 1510 38	21	62	31 1011 73	3	12
30 1510 41	21	60	31 2010 01	3	88
30 1510 42	20	60	31 2010 27	7	90
30 1510 68	19	60	31 2010 28	9	88
30 1510 68	18	62	31 2010 81	14	22
30 1510 69	18	60	35 1610 60	5	84

Parts Index



Part Number	Figure No.	Page No.	Part Number	Figure No.	Page No.
36 3140 01	3	48	36 PF00 14	8	50
36 DK00 20	2	70	36 PF00 15	7	72
36 DK00 37	9	66	36 PF00 16	7	72
36 DS14 01	4	76	36 PF00 17	7	72
36 DS18 01	13	66	36 PF00 18	8	72
36 DU10 07	3	30	36 PF00 19	8	72
36 JE00 03	14	8	36 PF00 20	8	72
36 JW00 13	1	94	36 PF00 21	14	32
36 JZ00 01	4	6	36 PF00 22	5	32
36 JZ00 03	7	12	36 PF00 23	19	32
36 JZ00 03	16	28	36 PF00 24	20	32
36 JZ00 04	2	6	36 PF00 25	1	36
36 JZ00 05	5	10	36 PF00 35	4	26
36 JZ00 08	8	40	36 Pf00 36	1	22
36 JZ00 16	7	32	39 0198 11	6	64
36 PF00 01	2	4	39 0198 11	18	64
36 PF00 02	2	10	39 0211 11	13	54
36 PF00 04	1	22	39 0240 11	12	28
36 PF00 05	2	20	39 0242 11	6	54
36 PF00 07	4	26	39 0292 15	15	50
36 PF00 08	1	24	39 0326 15	5	54
36 PF00 09	6	28	39 0422 15	8	56
36 PF00 10	2	62	39 0454 11	12	50
36 PF00 11	4	82	39 0553 02	11	50

Parts Index



Part Number	Figure No.	Page No.	Part Number	Figure No.	Page No.
39 0594 17	9	8	39 0817 15	8	18
39 0694 15	13	64	39 0840 01	23	60
39 0708 15	17	64	39 0849 14	5	40
39 0714 11	2A	50	39 0900 12	24	60
39 0722 11	19A	62	39 0939 15	6	50
39 0738 17	8	30	39 0983 08	2	76
39 0747 01	9	22	39 0987 17	4	14
39 0761 01	3	74	39 0992 06	2	16
39 0775 04	9	60	39 0993 11	11	30
39 0781 11	6	60	39 0999 06	19	22
39 0784 08	11	52	39 0999 06	24	24
39 0789 12	3	50	39 0999 06	3	38
39 0789 12	12	64	39 1000 06	1	10
39 0794 15	6	62	39 1000 06	14	20
39 0797 08	3	56	39 1000 06	6	22
39 0797 08	2	64	39 1041 19	3	24
39 0798 15	11	60	39 1054 11	3	76
39 0798 15	23	62	39 1074 04	12	66
39 0798 15	10	78	39 1211 11	4	44
39 0798 15	24	84	39 1211 11	15	88
39 0801 15	3	62	39 1225 15	7	86
39 0805 11	3	64	39 1298 04	3	94
39 0807 08	14	64	39 1309 11	3	54
39 0808 08	9	64	39 1507 11	10	54

Parts Index



Part Number	Figure No.	Page No.	Part Number	Figure No.	Page No.
39 1507 11	16	54	39 1956 04	6	88
39 1540 11	11	64	39 1964 04	10	20
39 1553 04	11	28	39 1970 15	1	46
39 1553 04	16	88	39 1970 15	15	54
39 1556 04	8	44	39 1970 15	14	84
39 1556 04	9	54	39 1972 15	20	88
39 1561 21	5	80	39 1981 04	20	14
39 1671 21	20	24	39 2017 19	3	6
39 1675 04	3	42	39 2141 24	3	84
39 1677 04	3	34	39 2179 24	4	74
39 1689 04	2	90	39 2190 19	17	22
39 1715 19	16	22	39 2198 04	13	8
39 1759 04	7	22	39 2200 11	13	28
39 1765 11	6	84	39 2222 04	1	54
39 1773 04	7	34	39 2238 01	7	84
39 1783 01	10	88	39 2240 20	8	62
39 1789 24	7	76	39 2249 15	27	68
39 1813 04	23	70	39 2312 04	3	46
39 1839 11	17	54	39 2349 11	2B	50
39 1880 20	7	8	39 2366 15	4	50
39 1942 04	3	90	39 2408 17	13	30
39 1943 04	12	42	39 2420 01	8	54
39 1943 04	12	54	39 2429 11	2	88
39 1943 04	1	66	39 2430 15	1	88

Parts Index



Part Number	Figure No.	Page No.	Part Number	Figure No.	Page No.
39 2447 04	25	62	59 0400 14	15	42
39 2473 04	4	54	59 0400 17	4	46
39 2481 04	7	52	59 0400 25	2	30
39 2484 15	13	74	59 1100 08	2B	12
39 2492 11	5	36	59 1200 03	2A	12
39 2539 21	4	4	59 1500 03	7	60
39 2562 20	3	22	59 1500 14	1	12
39 2566 11	28	62	59 2000 36	6	20
39 2567 11	4	62	59 2000 36	4	22
39 2582 04	18	84	59 2100 23	11	22
39 2600 11	4	28	59 2100 24	17	14
39 2659 12	3	52	CB 1011 14	2	36
39 2669 21	4	8	CB 1210 42	16	32
39 2683 20	8	8	CF 1110 19	10	42
39 2686 20	13	62	CL 2010 23	11	84
39 2687 20	16	62	CS 1011 28	5	8
39 2688 20	1	60	DD 1010 97	5	30
39 2704 11	7	18	DD 1110 11	9	42
39 2722 04	6	36	DD 1110 12	7	42
39 2723 15	6	46	DD 1110 18	10	42
39 2754 04	4	36	DD 1110 48	8	42
39 2758 21	12	74	DD 1211 81	19	24
39 2765 01	18	88	DD 1510 09	12	60
59 0400 06	14	70	DD 1811 76	12	88

Parts Index



Part Number	Figure No.	Page No.	Part Number	Figure No.	Page No.
DD 1911 42	15	66	DH 1015 09	10	18
DD 1911 47	10	66	DH 1016 07	9	36
DD 2010 11	4	88	DH 1016 48	14	28
DE 1810 33	8	70	DH 1017 81	7	40
DF 1611 02	6	56	DH 1210 38	5	34
DF 1614 13	1	52	DH 1211 69	6	32
DF 1614 26	4	34	DH 1510 29	10	64
DF 1910 20	2	54	DH 1610 66	9	56
DF 2010 58	12	84	DH 1611 21	4	56
DF 2011 38	8	88	DH 1611 33	9	76
DG 1010 29	1	6	DH 1611 94	5	52
DG 1013 39	11	18	DH 1710 19	29	62
DG 1014 18	7	24	DH 1810 14	5	48
DG 1510 22	5	58	DH 1810 23	26	70
DG 1611 21	8	76	DH 1910 34	7	66
DG 1611 24	5	56	DH 2010 43	7	78
DH 1010 48	12	8	DJ 1410 08	1	76
DH 1012 64	15	22	DJ 1510 33	11	62
DH 1013 80	8	20	DJ 1510 36	13	50
DH 1013 80	4	40	DJ 1510 37	16	50
DH 1013 80	4	42	DJ 1510 47	14	50
DH 1013 88	15	24	DJ 1510 81	8	60
DH 1013 88	1	26	DJ 1810 51	19	70
DH 1013 92	16	8	DJ 1810 52	21	70

Parts Index



Part Number	Figure No.	Page No.	Part Number	Figure No.	Page No.
DJ 1810 65	11	90	DP 1611 44	11	88
DJ 1810 85	22	70	DP 1611 45	17	88
DJ 1810 87	3	70	DP 1611 63	13	52
DJ 1811 15	4	48	DP 1611 70	12	52
DJ 1910 54	7	66	DP 1710 06	7	50
DJ 1910 55	8	66	DP 2110 09	2	44
DJ 2010 46	9	84	DS 1011 17	9	30
DJ 2010 51	10	84	DS 1011 54	6	12
DJ 2210 03	3	66	DS 1012 15	8	24
DJ 2210 04	4	66	DS 1012 76	11	8
DK 1410 41	9	74	DS 1099 05	15	8
DK 1510 94	12	62	DS 1211 26	13	34
DK 2010 49	19	90	DS 1410 09	2	74
DL 1810 09	2	84	DS 1410 12	5	76
DL 1810 10	4	84	DS 1510 03	4	58
DL 1910 13	8	66	DS 1510 04	2	58
DL 1910 20	8	78	DS 1510 05	3	58
DM 1810 08	10	70	DS 1510 09	11	58
DM 2010 26	7	88	DS 1510 10	12	58
DM 2210 13	1	92	DS 1510 29	9	58
DP 1011 65	6	10	DS 1510 34	8	58
DP 1011 98	7	4	DS 1510 35	5	62
DP 1210 25	3	2	DS 1510 53	6	58
DP 1210 25	11	34	DS 1510 60	5	60

Parts Index



Part Number	Figure No.	Page No.	Part Number	Figure No.	Page No.
DS 1510 67	15	62	DS 1910 35	8	64
DS 1510 68	9	62	DS 1910 52	11	66
DS 1510 69	20	62	DS 2010 19	15	84
DS 1510 73	10	62	DS 2010 20	17	84
DS 1510 74	7	62	DS 2010 21	16	84
DS 1611 50	13	26	DS 2010 25	8	90
DS 1612 24	10	90	DS 2010 81	7	90
DS 1810 05	24	68	DU 1012 13	19	14
DS 1810 05	17	70	DU 1611 02	10	76
DS 1810 07	22	68	DU 1810 21	21	68
DS 1810 08	23	68	DU 1910 03	17	68
DS 1810 09	25	68	DU 1910 04	18	68
DS 1810 10	26	68	DU 1910 09	5	66
DS 1810 12	15	70	DU 2010 08	1	86
DS 1810 15	28	70	DU 2010 10	2	86
DS 1810 16	27	70	DU 2010 12	3	86
DS 1810 17	18	70	DU 2010 14	4	86
DS 1810 18	2	48	DU 2010 16	6	86
DS 1810 22	2	66	DU 2010 29	13	84
DS 1810 70	11	70	DX 1910 08	7	66
DS 1810 72	9	70	DX 1910 09	15	66
DS 1810 84	13	70	FD 1010 78	4	38
DS 1910 18	14	66	FD 2110 06	6	44
DS 1910 33	19	68	FD 2110 07	5	44

Parts Index



Part Number	Figure No.	Page No.	Part Number	Figure No.	Page No.
GF 2010 53	16	90	JA 5110 28	1	4
JA 1132 01	1	56	JA 5112 11	6	6
JA 1132 02	7	56	JA 5112 16	10	8
JA 1134 02	5	46	JA 5210 15	4	10
JA 1134 03	7	46	JA 5310 15	9	12
JA 1210 03	9	50	JA 531012	8	12
JA 1316 03	2	60	JA 5410 05	5	22
JA 1316 05	14	60	JA 5410 05	9	26
JA 1316 06	22	60	JA 5410 10	7	20
JA 1316 07	10	60	JA 5410 11	12	20
JA 3516 02	11	40	JA 5410 12	11	20
JA 3516 04	12	40	JA 5410 14	9	20
JA 3516 06	13	40	JA 5410 15	5	20
JA 3516 08	14	40	JA 5410 16	2	38
JA 3516 09	15	40	JA 5410 28	5	42
JA 3516 18	17	40	JA 5410 34	8	22
JA 3516 19	16	40	JA 5412 05	10	26
JA 3516 24	18	40	JA 5412 11	11	24
JA 3516 26	13	40	JA 5412 12	16	24
JA 3516 27	11	40	JA 5412 16	14	24
JA 4018 01	12	90	JA 5412 21	2	26
JA 5110 08	6	2	JA 5412 25	12	24
JA 5110 11	4	2	JA 5510 02	3	14
JA 5110 11	10	34	JA 5510 04	7	14

Parts Index



Part Number	Figure No.	Page No.	Part Number	Figure No.	Page No.
JA 5510 08	15	14	JA 6210 01	7	30
JA 5510 09	16	14	JA 6210 02	10	30
JA 5514 06	3	28	JA 6210 06	6	30
JA 5514 14	5	28	JA 6212 01	1	30
JA 5514 15	8	28	JA 6214 02	1	40
JA 5514 19	7	28	JA 6214 06	2	40
JA 5610 02	3	16	JA 6214 10	3	40
JA 5612 07	6	18	JA 6214 14	6	40
JA 5612 08	4	18	JB 1130 05	7	36
JA 5612 09	5	18	JB 1220 03	10	50
JA 5612 11	12	18	JB 1220 16	5	50
JA 5810 05	16	34	JB 1510 12	22	84
JA 5810 06	14	34	JB 1510 13	23	84
JA 5810 09	15	34	JB 1610 02	20	64
JA 5810 11	9	34	JB 1610 08	7	66
JA 5810 12	12	34	JB 1812 20	3	82
JA 5810 13	8	34	JB 1812 21	2	82
JA 5812 21	8	32	JB 1812 39	1	82
JA 5812 23	3	32	JB 2312 06	5	94
JA 5812 32	15	32	JB 4014 00	6	66
JA 5812 33	10	32	JB 4014 09	28	68
JA 5812 91	2	32	JB 5310 21	10	12
JA 5813 14	17	32	JB 5810 01	2	34
JA 5910 40	3	36	JB 5812 02	11	32

Parts Index



Part Number	Figure No.	Page No.	Part Number	Figure No.	Page No.
JB 5812 04	12	32	JV 1814 08	11	54
JC 1810 20	24	70	JV 1814 10	18	54
JD 5110 10	5	2	JV 3512 04	6	42
JD 5210 02	3	10	JV 4016 02	1	90
JD 5410 00	2	22	JV 4018 01	14	90
JD 5514 00	2	28	JV 4018 02	12	90
JD 5610 04	6	16	JV 4022 04	6	90
JD 5610 11	4	16	JV 4022 05	5	90
JE 5310 01	5	12	JV 5210 03	3	8
JE 5410 08	14	30	JV 5210 06	1	8
JE 5412 13	9	24	JV 5410 06	10	22
JE 5412 14	10	24	JV 5410 07	1	2
JE 5514 01	6	24	JV 5410 07	4	20
JG 5710 24	12	22	JV 5410 07	18	22
JK 1130 08	14	52	JV 5410 07	17	24
JK 3516 00	4	90	JV 5410 07	12	26
JK 5412 12	13	24	JV 5412 05	21	24
JK 5412 13	3	26	JV 5412 07	5	26
JK 5412 14	2	24	JV 5412 08	5	24
JK 5412 14	8	26	JV 5412 09	18	24
JN 1410 02	1	62	JV 5412 12	11	26
JN 4020 00	13	42	JV 5412 15	7	26
JV 1610 14	4	64	JV 5412 16	3	20
JV 1710 01	5A	76	JV 5412 17	2	8

Parts Index



Part Number	Figure No.	Page No.	Part Number	Figure No.	Page No.
JV 5412 17	22	24	LJ A000 04	13	22
JV 5412 18	6	4	PF 1130 01	4	52
JV 5912 17	10	40	PF 1110 00	1	48
JW 1220 04	15	64	PF 1130 00	6	52
JW 1316 01	24	62	PF 1130 02	8	52
JW 1812 29	21	84	PF 1130 03	9	52
JW 1812 32	20	84	PF 1132 02	2	56
JW 5612 06	2	18	PF 1134 02	2	46
JW 5612 08	3	18	PF 1210 12	1	70
JZ 5110 04	6	8	PF 1210 15	20A	70
JZ 5110 16	3	4	PF 1210 16	20B	70
JZ 5110 21	2	2	PF 1210 17	12	70
JZ 5112 03	5	6	PF 1210 18	4	70
JZ 5510 04	18	14	PF 1210 19	5	70
JZ 5512 04	14	14	PF 1210 20	25	70
JZ 5512 05	13	14	PF 1210 24	20	70
JZ 5610 02	7	16	PF 1210 25	19	84
JZ 5614 01	9	18	PF 1210 26	1	70
JZ 5812 16	4	32	PF 1210 28	18	70
JZ 5812 20	18	32	PF 1220 05	1	50
JZ 6210 00	12	30	PF 1310 02	7	58
KA DF08 20	14	54	PF 1312 04	27	62
KA DF08 22	2	52	PF 1312 08	26	62
LA C000 21	3	44	PF 1312 11	10	58

Part Number	Figure No.	Page No.	Part Number	Figure No.	Page No.
PF 1610 01	7	64	PF 3510 09	1	42
PF 1610 02	1	64	PF 3512 01	11	42
PF 1612 08	1	80	PF 3516 00	9	40
PF 1612 09	4	80	PF 4010 00	8	84
PF 1612 11	3	80	PF 4010 07	8	84
PF 1612 12	6	80	PF 4014 03	18	90
PF 1612 13	2	80	PF 4014 04	20	68
PF 1710 05	6	74	PF 4014 04	17	90
PF 1710 06	7	74	PF 4014 08	16	66
PF 1718 02	8	74	PF 4014 09	16	66
PF 1718 03	10	74	PF 4018 01	13	90
PF 1812 09	1	72	PF 4018 02	20	90
PF 1812 09	1	84	PF 4022 00	9	90
PF 1812 11	25	84	PF 4022 05	9	90
PF 1814 08	7	54	PF 4024 00	1	78
PF 1910 00	1	44	PF 4024 01	3	78
PF 231 200	4	94	PF 4024 02	5	78
PF 2312 01	2	94	PF 4024 03	6	78
PF 2314 01	5	88	PF 4024 04	9	78
PF 2314 04	7	44	PF 4024 05	4	78
PF 2326 01	2A	66	PF 4024 06	2	78
PF 2326 01	1	74	PF 4026 00	11	74
PF 3510 03	1	42	PF 5010 04	1	20
PF 3510 04	2	42	PF 5010 14	1	20

Part Number	Figure No.	Page No.	Part Number	Figure No.	Page No.
PF 5110 21	8	2	PF 5814 01	5	4
PF 5110 27	7	2	PF 5814 02	8	4
PF 5310 00	4	12	PF 5910 43	10	36
PF 5410 18	13	20	PF 5910 45	8	36
PF 5510 02	1	14	PF 7101 3E	4	72
PF 5510 03	8	14	PF 7101 3F	4	72
PF 5512 00	6	14	PF 7101 X3	4	72
PF 5512 01	5	14	PF 7201 3E	3	72
PF 5512 02	2	14	PF 7201 3F	3	72
PF 5512 03	10	14	PF 7201 X3	3	72
PF 5512 04	11	14	PF 7301 3E	6	72
PF 5512 05	12	14	PF 7301 3F	6	72
PF 5512 06	9	14	PF 7301 X3	6	72
PF 5514 03	1	28	PF 7302 3E	5	72
PF 5514 05	9	28	PF 7302 3F	5	72
PF 5514 06	10	28	PF 7302 X3	5	72
PF 5610 00	1	16	PF 7401 3E	2	72
PF 5610 02	5	16	PF 7401 3F	2	72
PF 5612 00	1	18	PF 7401 X3	2	72
PF 5710 00	1	38			
PF 5710 01	5	38			
PF 5810 02	6	34			
PF 5810 03	1	34			
PF 5812 00	1	32			



Part Number	Figure No.	Page No.

Part Number	Figure No.	Page No.



Part Number	Figure No.	Page No.

Part Number	Figure No.	Page No.